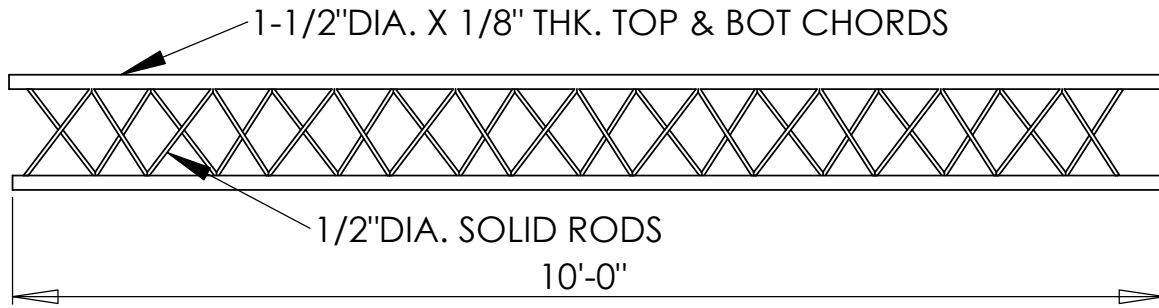
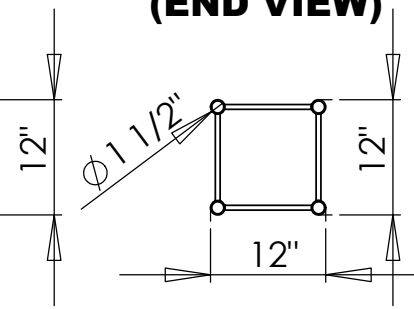


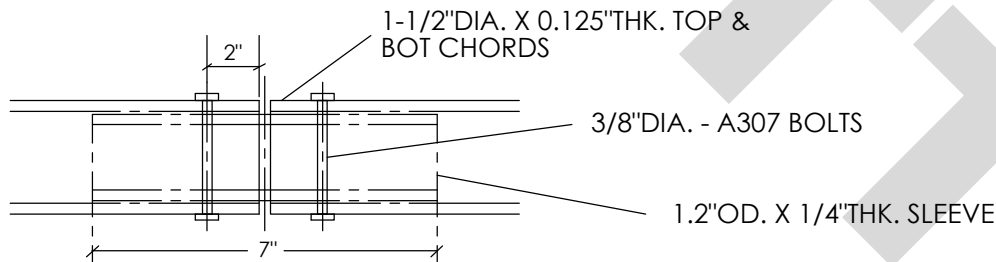
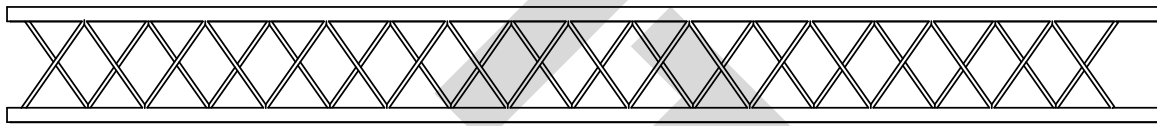
(ELEVATION VIEW)



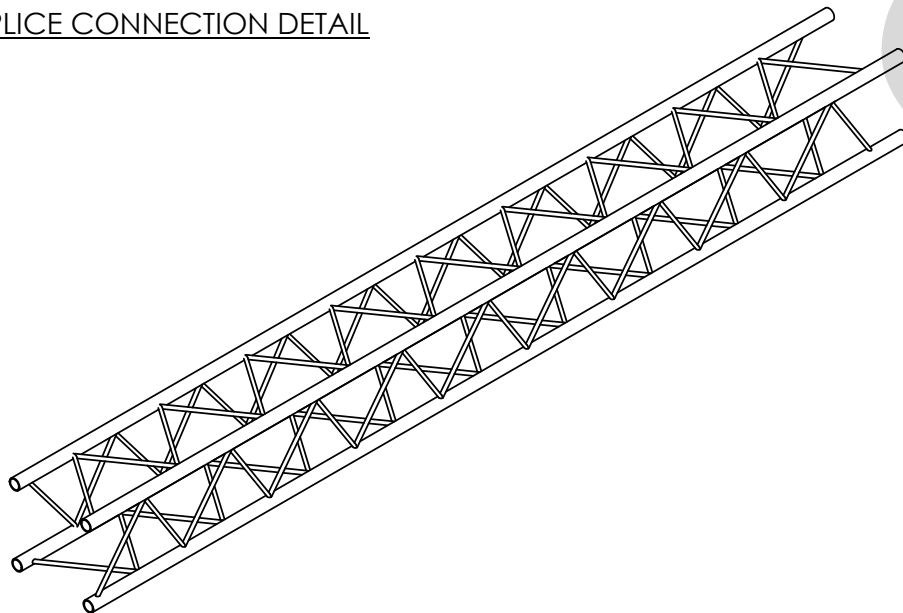
(END VIEW)



(TOP VIEW)



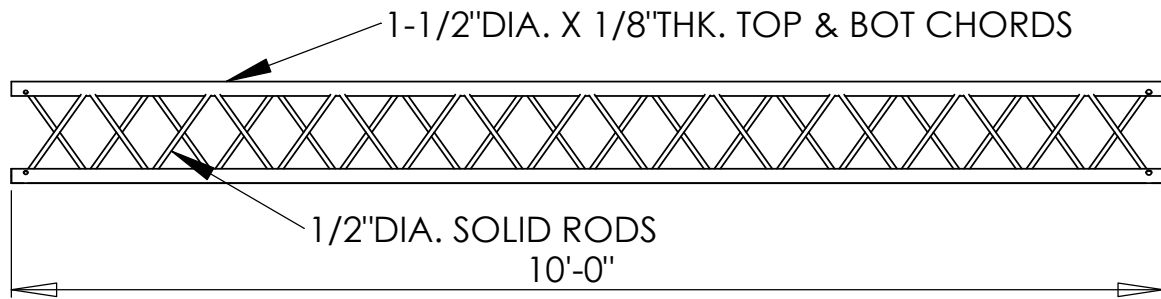
SPLICE CONNECTION DETAIL



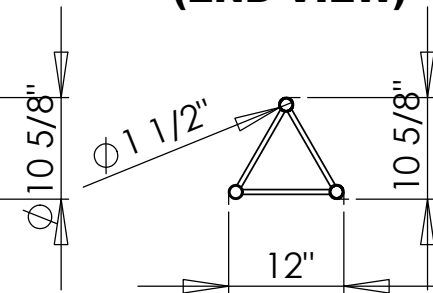
- NOTE;
1. ALL MEMBERS ALUMINUM ALLOY 6061-T6
 2. ALL END CONNECTION BOLTS 3/8" DIA. - A307
 3. MAXIMUM DEFLECTION < LENGTH (INCHES) / 240

COMPANY	ITTCorp.		
TITLE	GREEN 12X12		
DWG. NO.	S2112100		
SCALE		DATE	042008

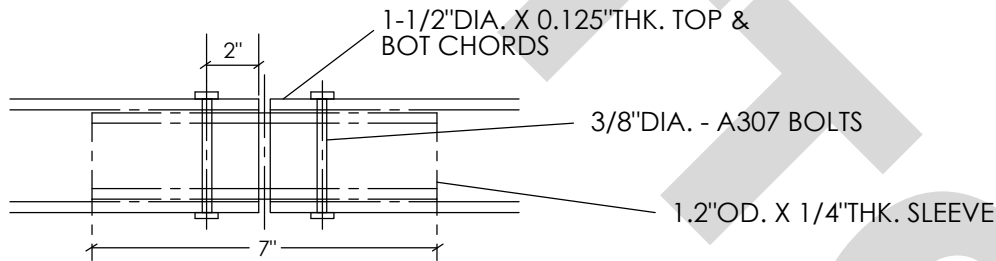
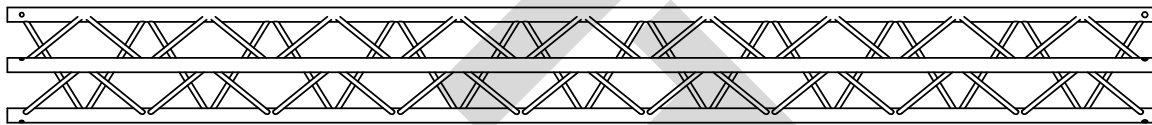
(ELEVATION VIEW)



(END VIEW)

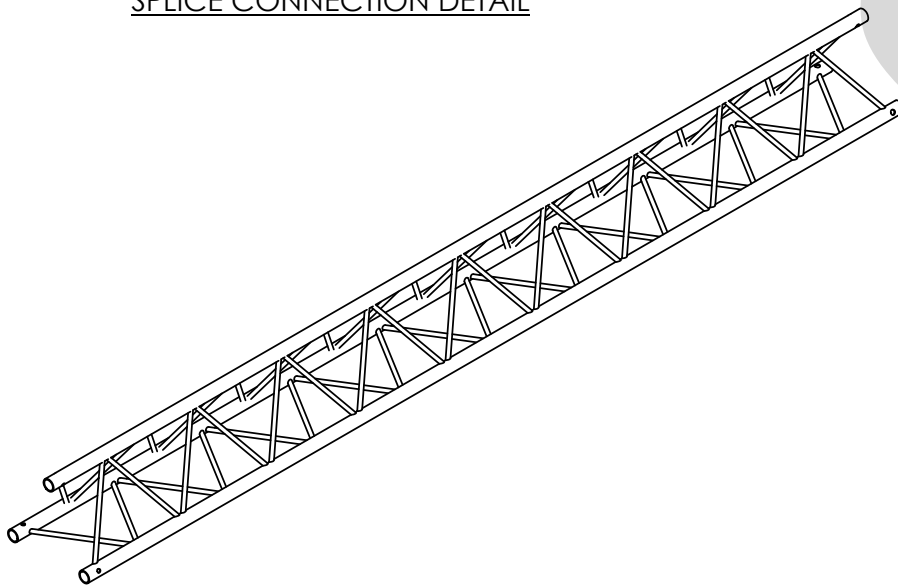


(TOP VIEW)



SPLICE CONNECTION DETAIL

- NOTE;
1. ALL MEMBERS ALUMINUM ALLOY 6061-T6
 2. ALL END CONNECTION BOLTS 3/8" DIA. - A307
 3. MAXIMUM DEFLECTION < LENGTH (INCHES) / 240



COMPANY	ITTCorp.		
TITLE	GREEN 12X12		
DWG. NO.	T2112100		
SCALE		DATE	042008