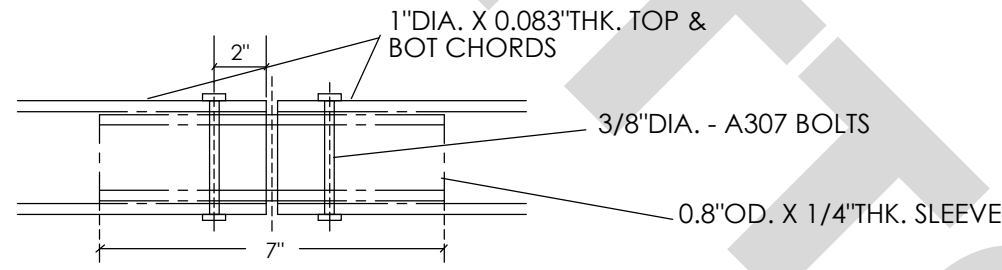
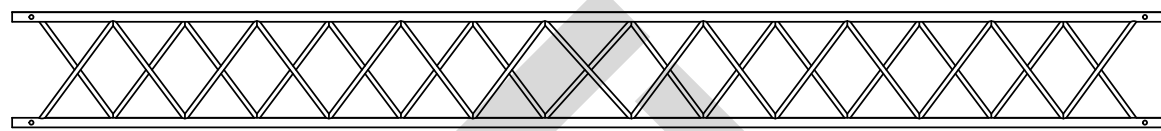
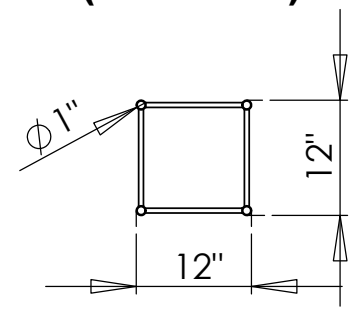
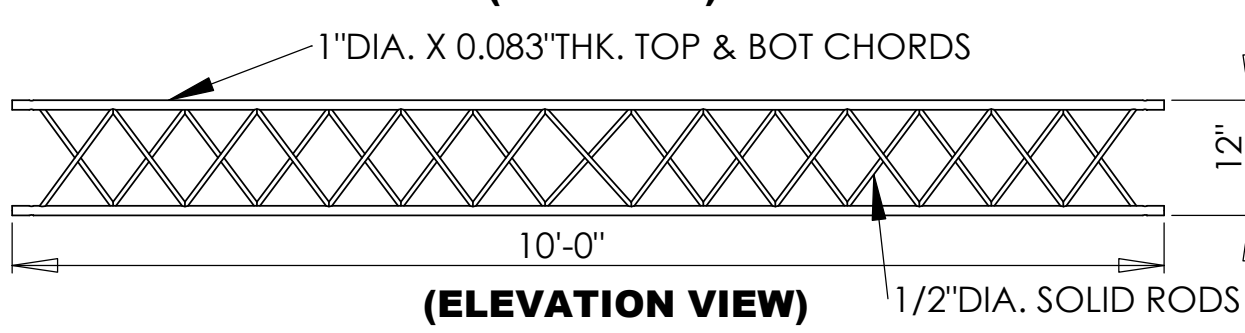
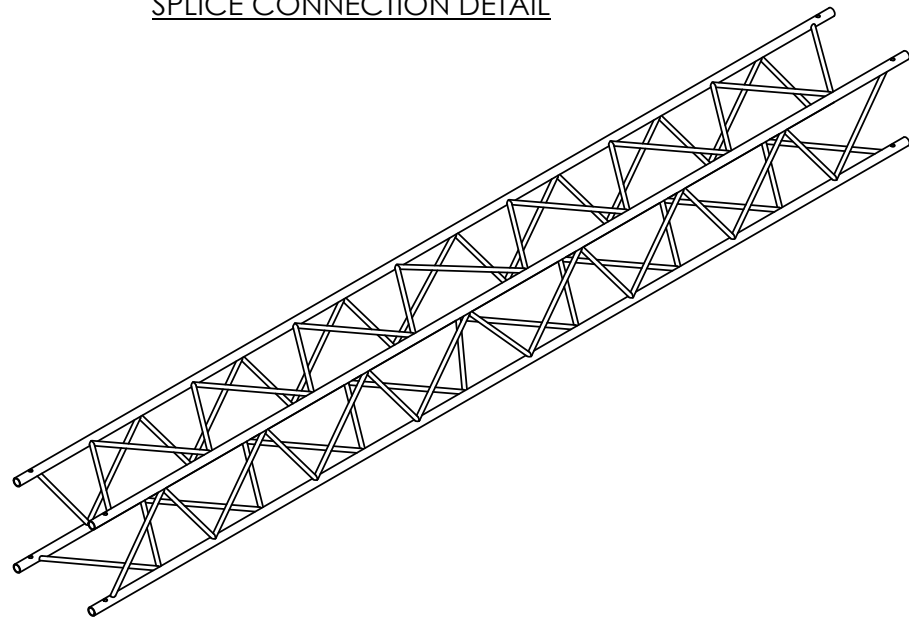


(TOP VIEW)

(END VIEW)



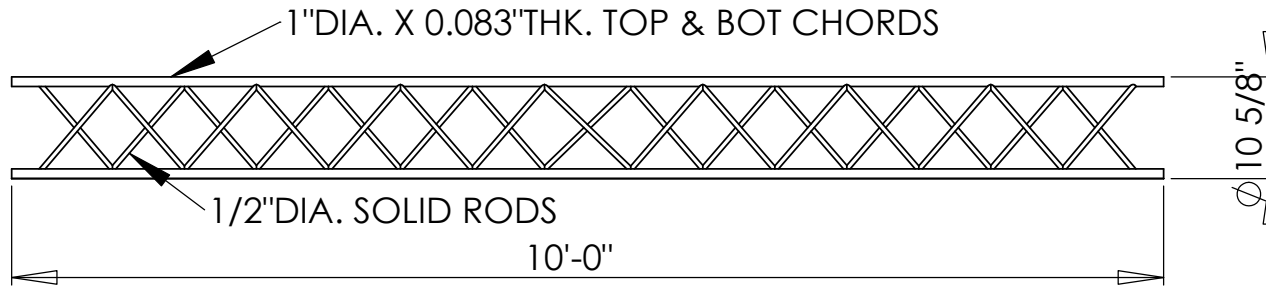
SPLICE CONNECTION DETAIL



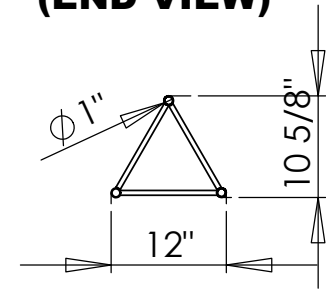
- NOTE;
1. ALL MEMBERS ALUMINUM ALLOY 6061-T6
 2. ALL END CONNECTION BOLTS 3/8" DIA. - A307
 3. MAXIMUM DEFLECTION < LENGTH (INCHES) / 240

COMPANY	ITTCorp.		
TITLE	GREY 12X12		
DWG. NO.	S1112100		
SCALE		DATE	042008

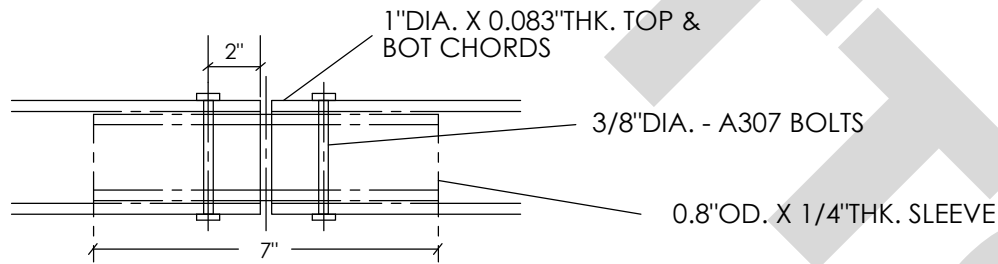
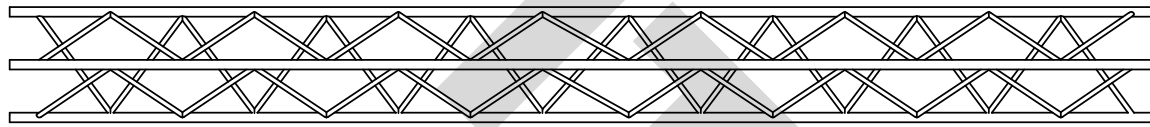
(ELEVATION VIEW)



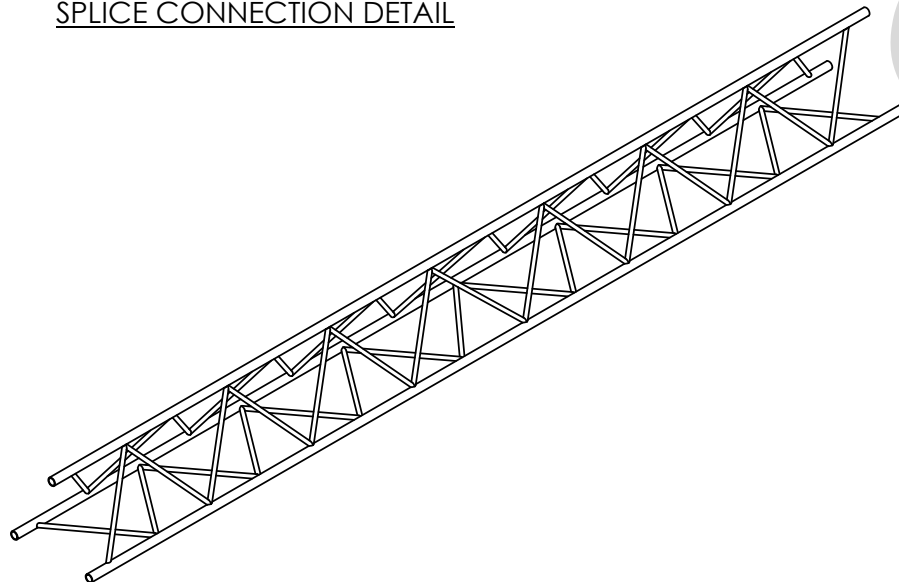
(END VIEW)



(TOP VIEW)



SPLICE CONNECTION DETAIL



- NOTE;
1. ALL MEMBERS ALUMINUM ALLOY 6061-T6
 2. ALL END CONNECTION BOLTS 3/8" DIA. - A307
 3. MAXIMUM DEFLECTION < LENGTH (INCHES) / 240

COMPANY	ITTCorp.		
TITLE	GREY 12X12		
DWG. NO.	T1112100		
SCALE		DATE	042008