

# ITTCUSA

International Theatrical Truss Corp.

**[www.ittcusa.com](http://www.ittcusa.com)**

**E-mail - [sales@ittcusa.com](mailto:sales@ittcusa.com)**

**Call Toll Free 1-888-778-5557**

**Tel: 408-776-6600**

**Fax: 408-776-6601**

## **You Can Truss Us !**

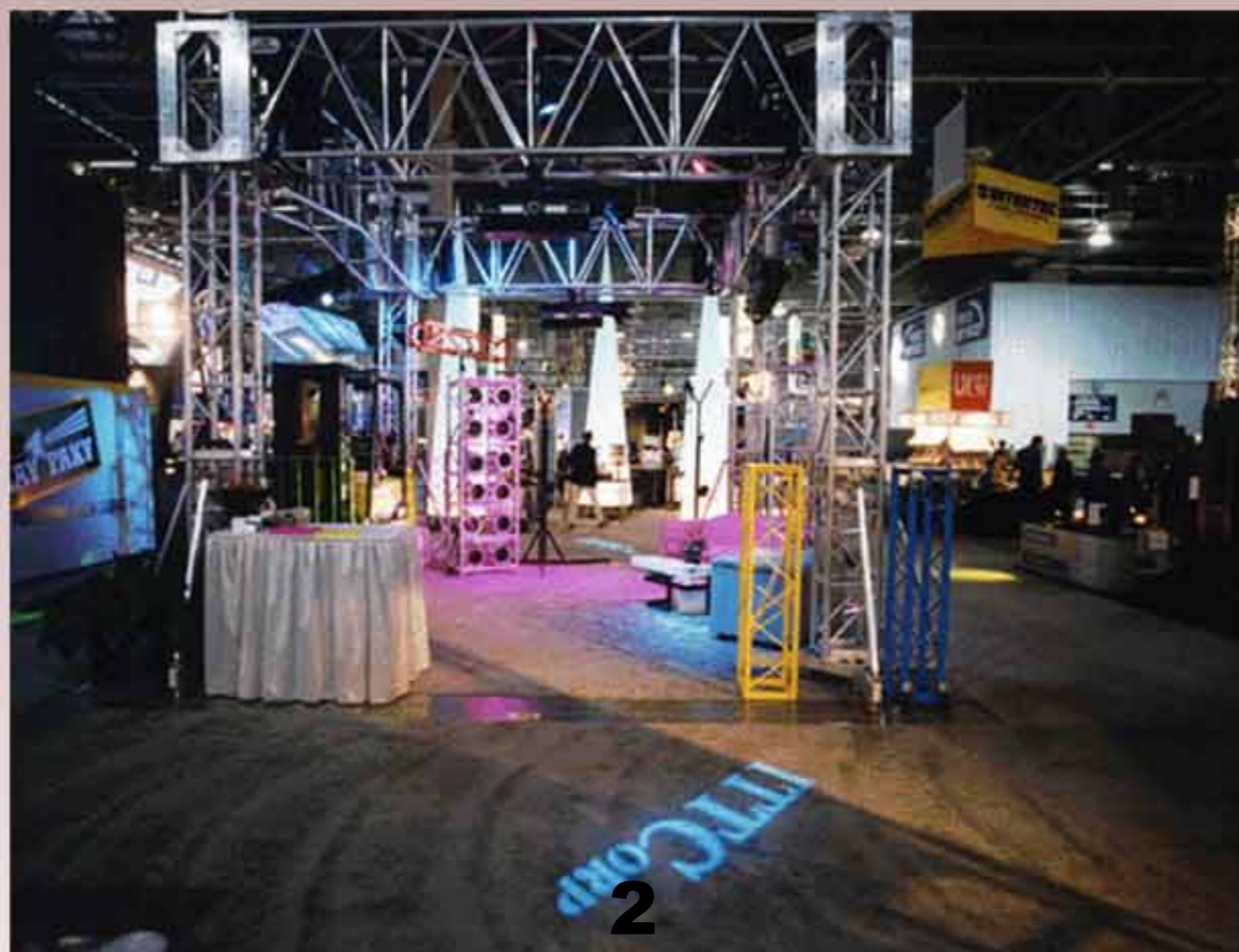
**ITTC was founded in 1987 to support the much needed demand for quality trusses in the growing market.**

**ITTC has grown over the years to become one of the leading makers in theatrical lighting trusses, providing the best products for its application. Not only do we cater to all truss applications and custom fabrications, but ITTC is continuing our commitment of excellence in the lighting industry by continuing to better serve as a one stop fabrication house for the entire globe.**

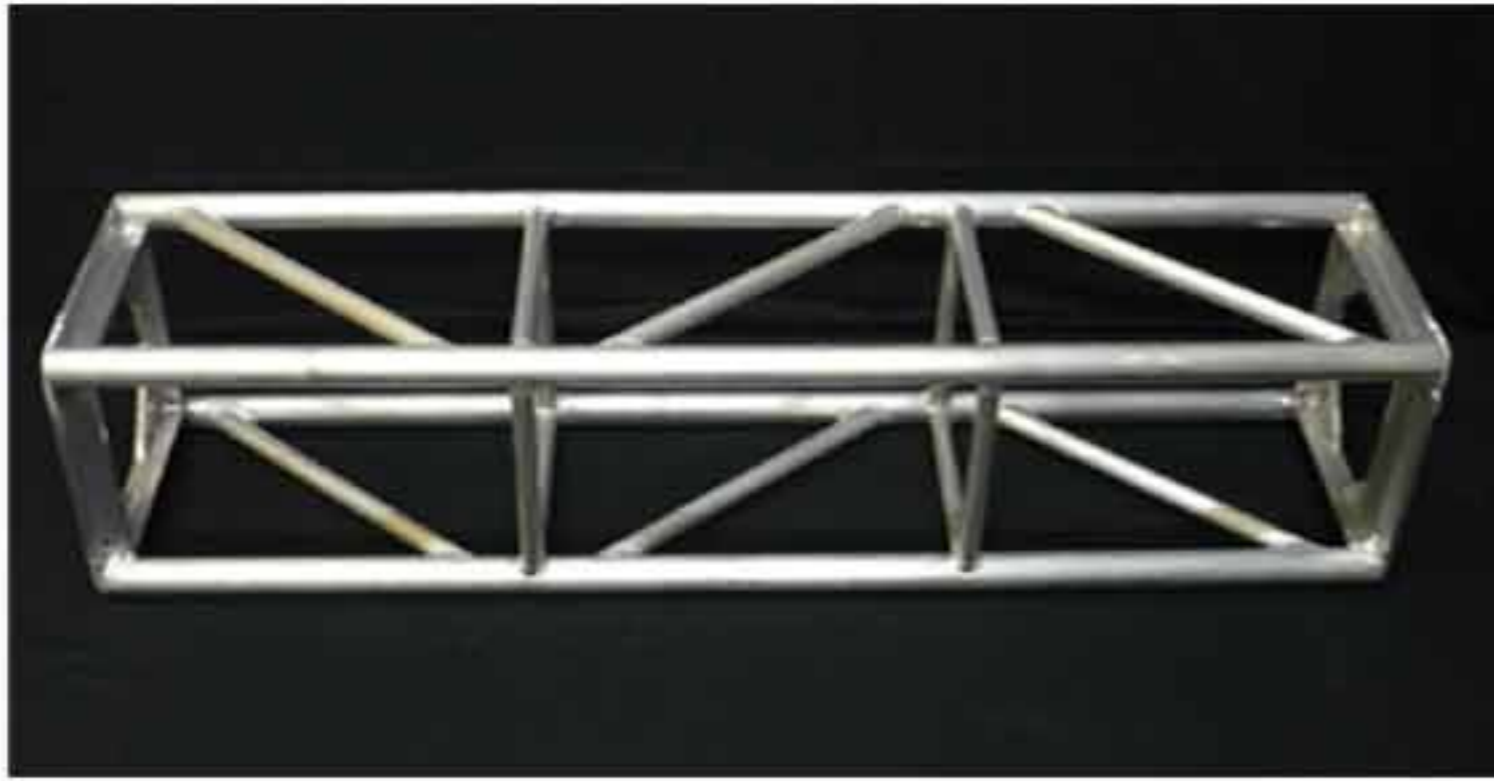
**Our commitment to having quality products and one of the fastest turn-around time in the industry, has earned the respects of lighting professionals all around the world.**

**ITTC manufactures six different lines of trussing as well as hand crank and motorized tower systems.**

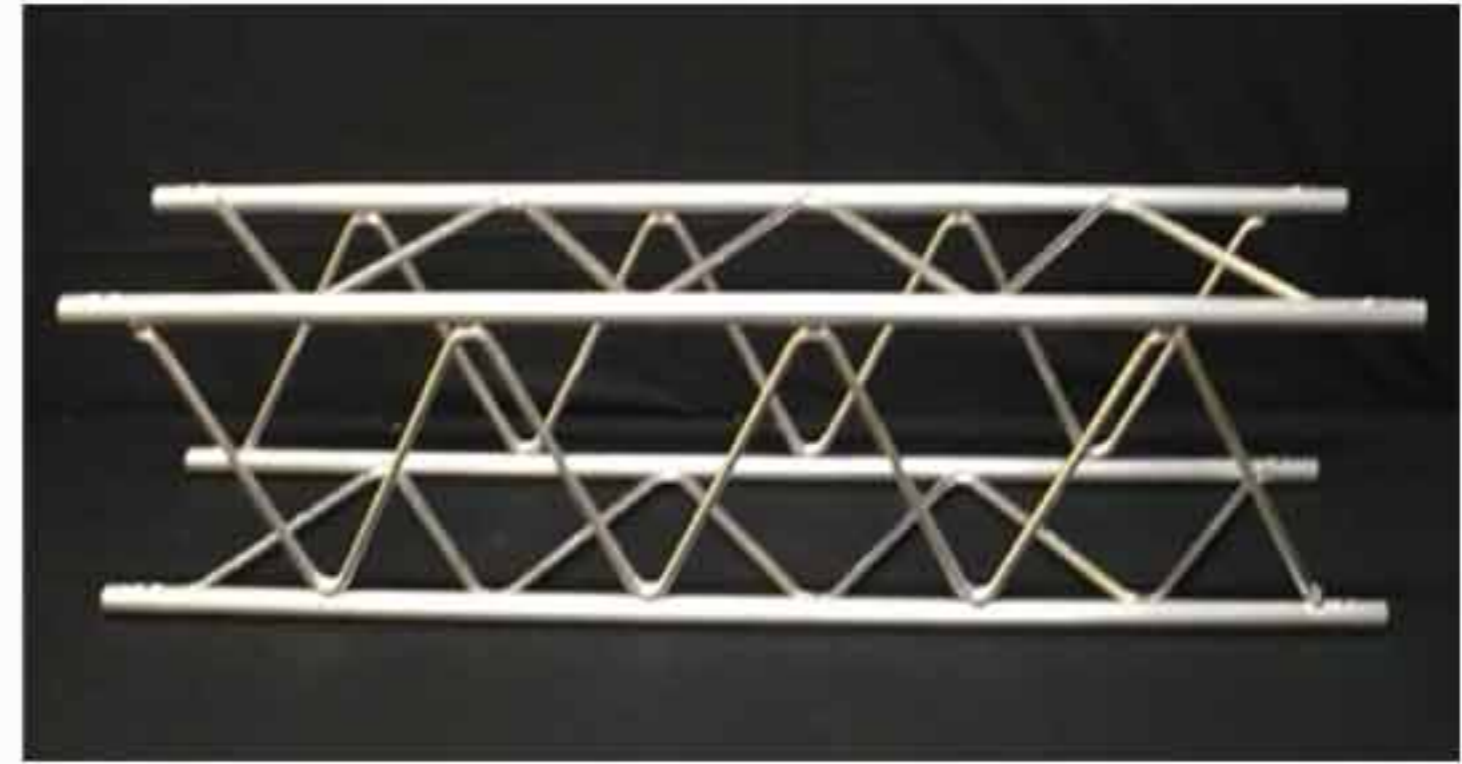
**We manufacture customized trusses to fit all your needs.**



# **PRODUCTS**



**SQUARE TRUSS W/EP**



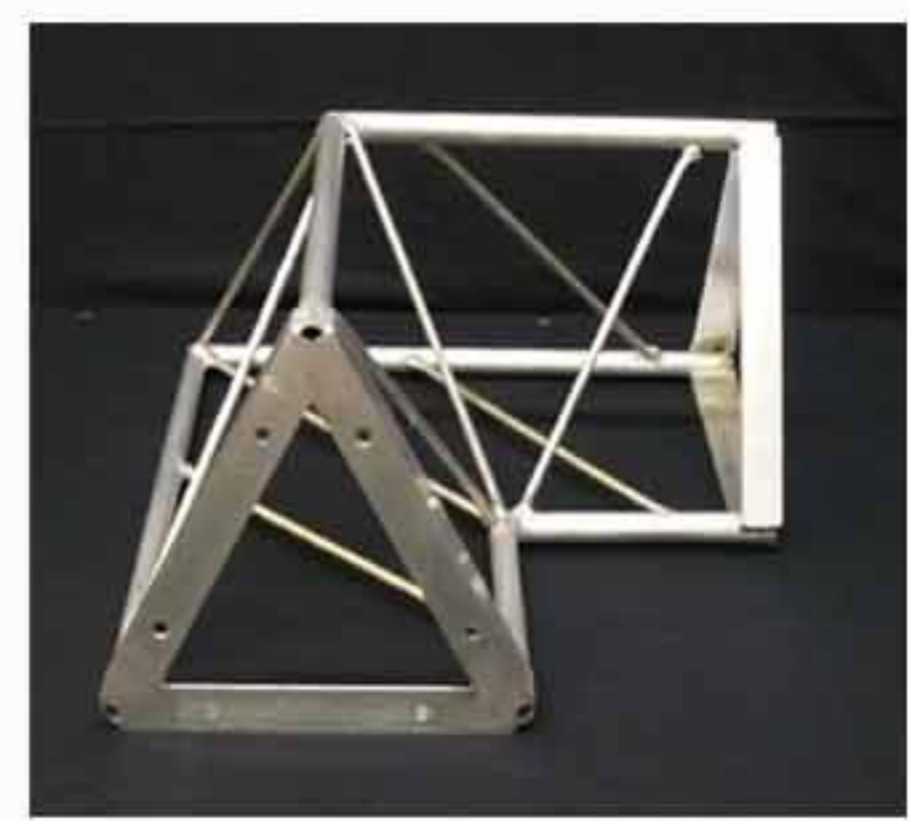
**SQUARE TRUSS - LIGHT DUTY**



**3WAY CORNER W/EP  
FOR SQUARE TRUSS**



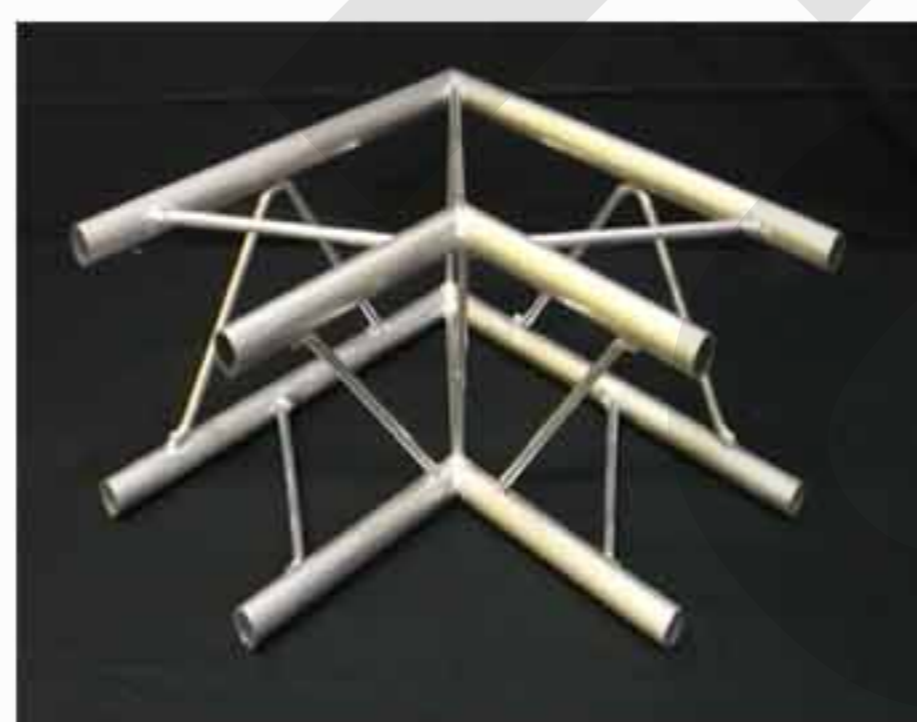
**3WAY CORNER-LIGHT DUTY  
FOR SQUARE TRUSS**



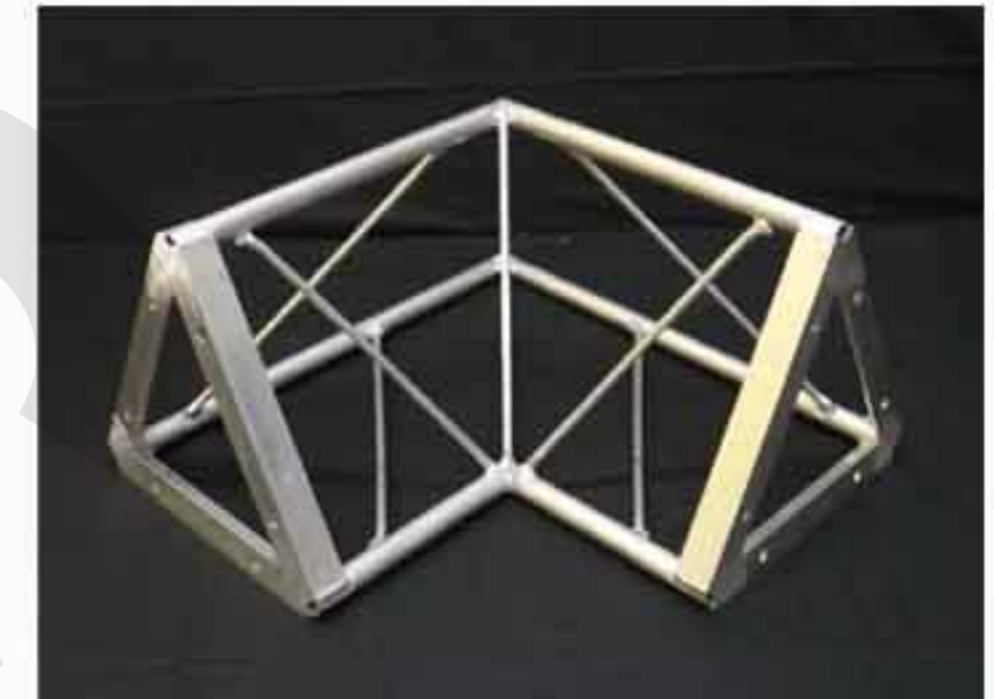
**2WAY CORNER W/EP  
FOR TRIANGLE TRUSS**



**2WAY CORNER - FOR  
LIGHT DUTY TRIANGLE TRUSS**



**2WAY CORNER - FOR  
LIGHT DUTY SQUARE TRUSS**



**2WAY CORNER W/EP  
FOR TRIANGLE TRUSS**



**HINGE BLOCK TRUSS**



**BASE PLATE FOR  
TOWER TRUSS**

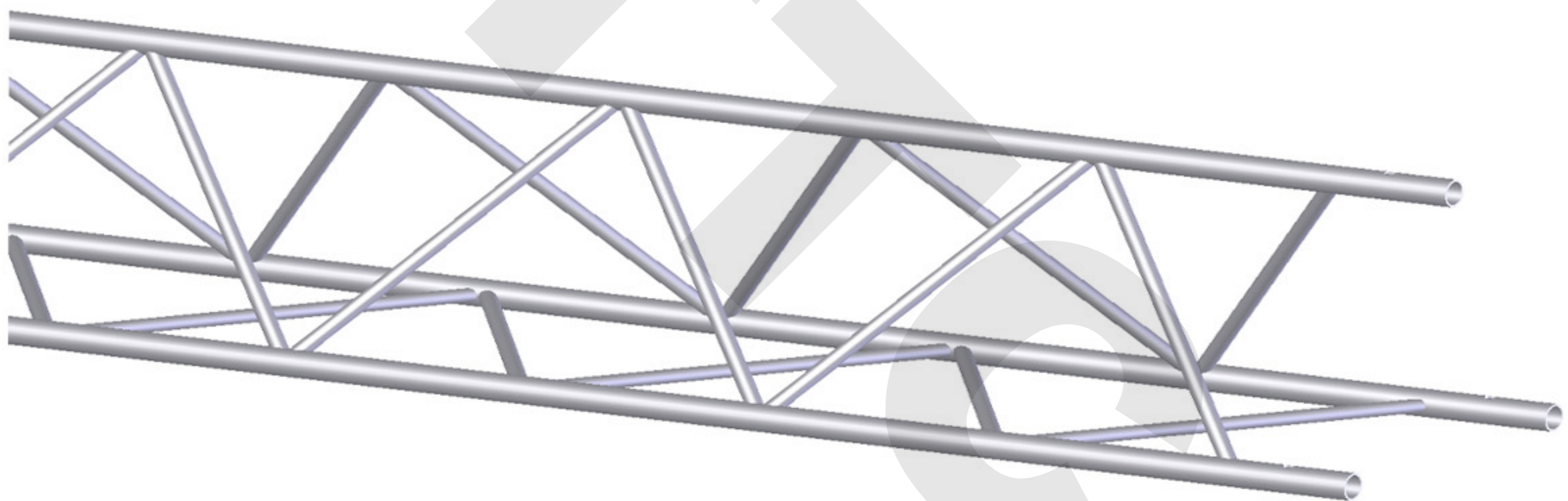


**6WAY CUBE  
FOR CORNER WAY**

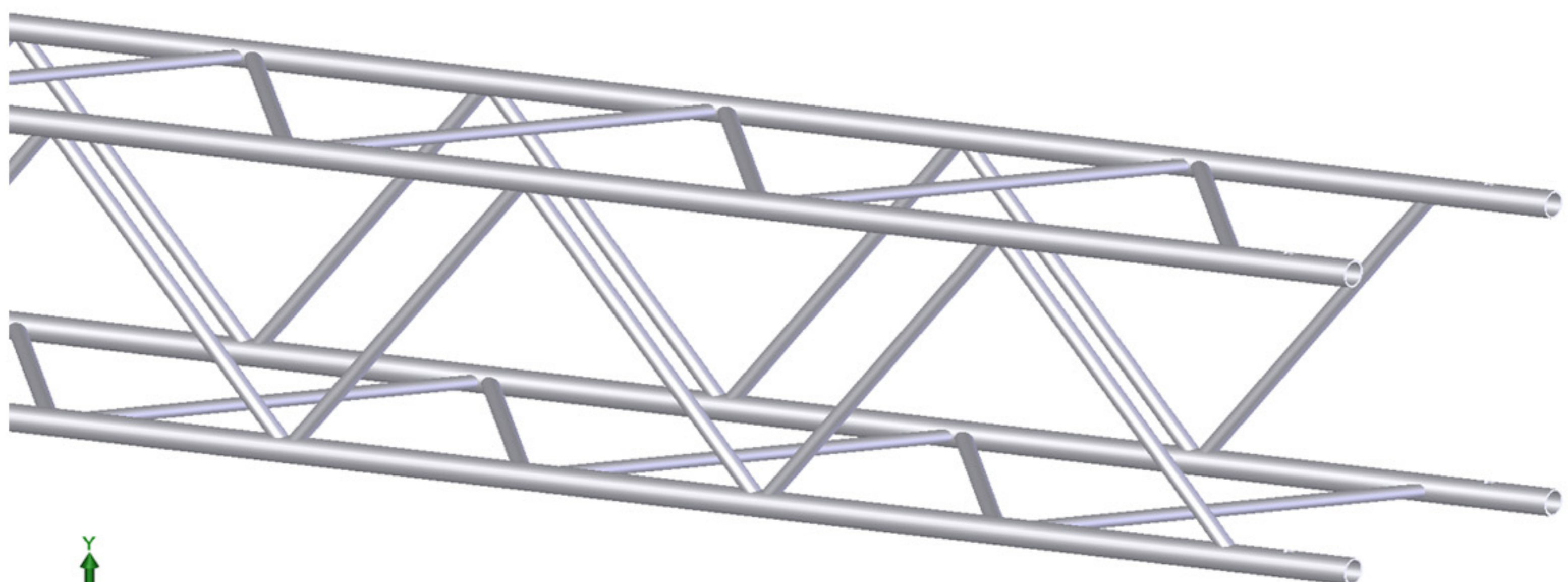
# 1.0 LIGHT DUTY

- ALL MEMBERS ALUMINUM ALLOY 6061-T6
- TOP & BOTTOM CHORDS ARE 1" DIA. X 0.083" PIPES
- DIAGONAL MEMBERS ARE 1/2" SOLID RODS
- ALL END CONNECTION BOLTS 3/8" - A307
- Available Truss ANY Length & Width

**(TRIANGULAR 12)**



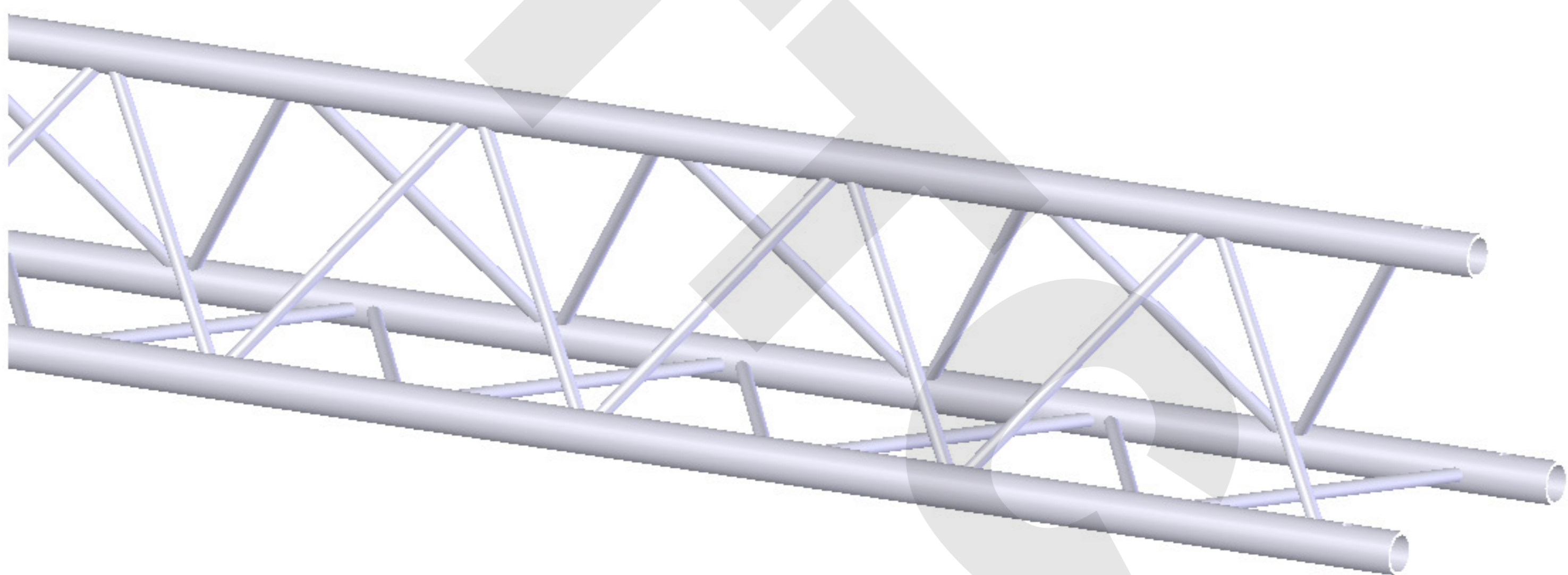
**(SQUARE 12 X 12)**



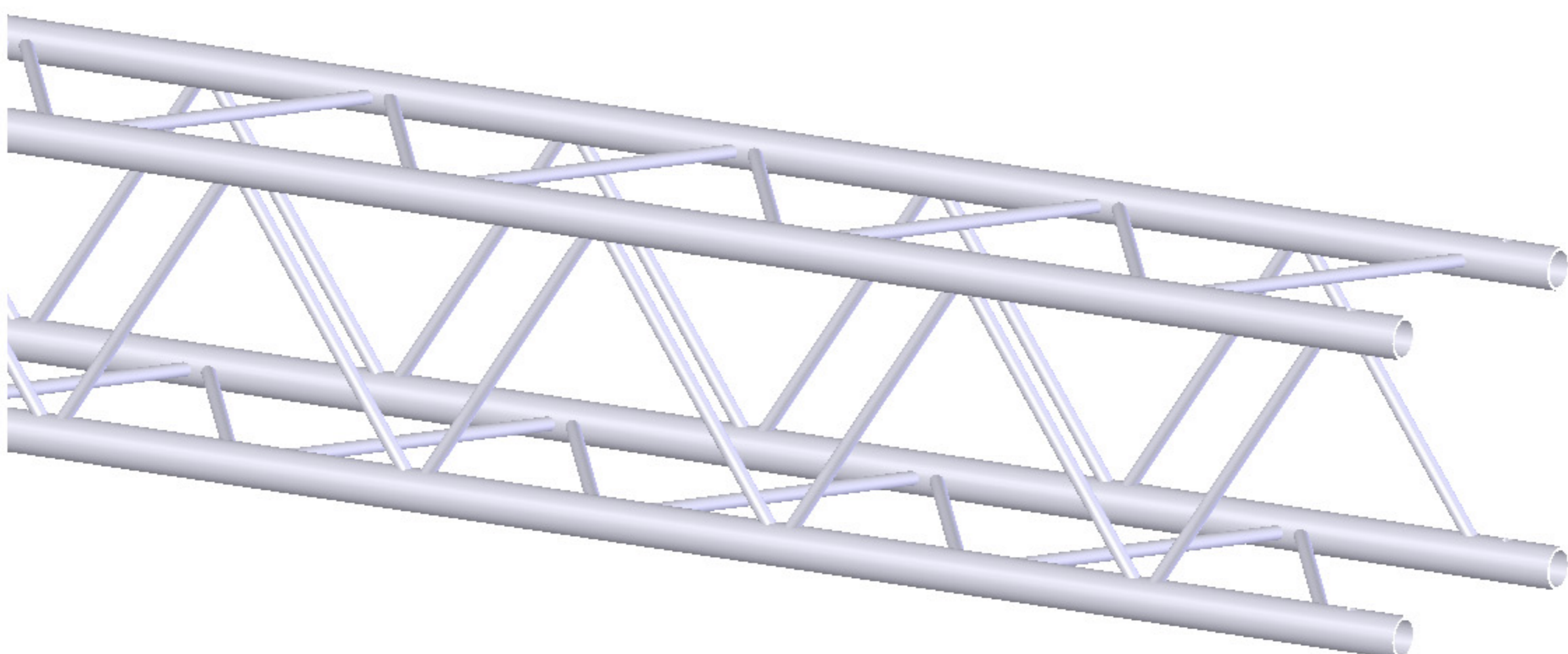
# 1.5 LIGHT DUTY

- ALL MEMBERS ALUMINUM ALLOY 6061-T6
- TOP & BOTTOM CHORDS ARE 1-1/2" DIA. X 0.125" PIPES
- DIAGONAL MEMBERS ARE 1/2" SOLID RODS
- ALL END CONNECTION BOLTS 3/8" - A307
- Available Truss Any Length & Width

**(TRIANGULAR 12)**



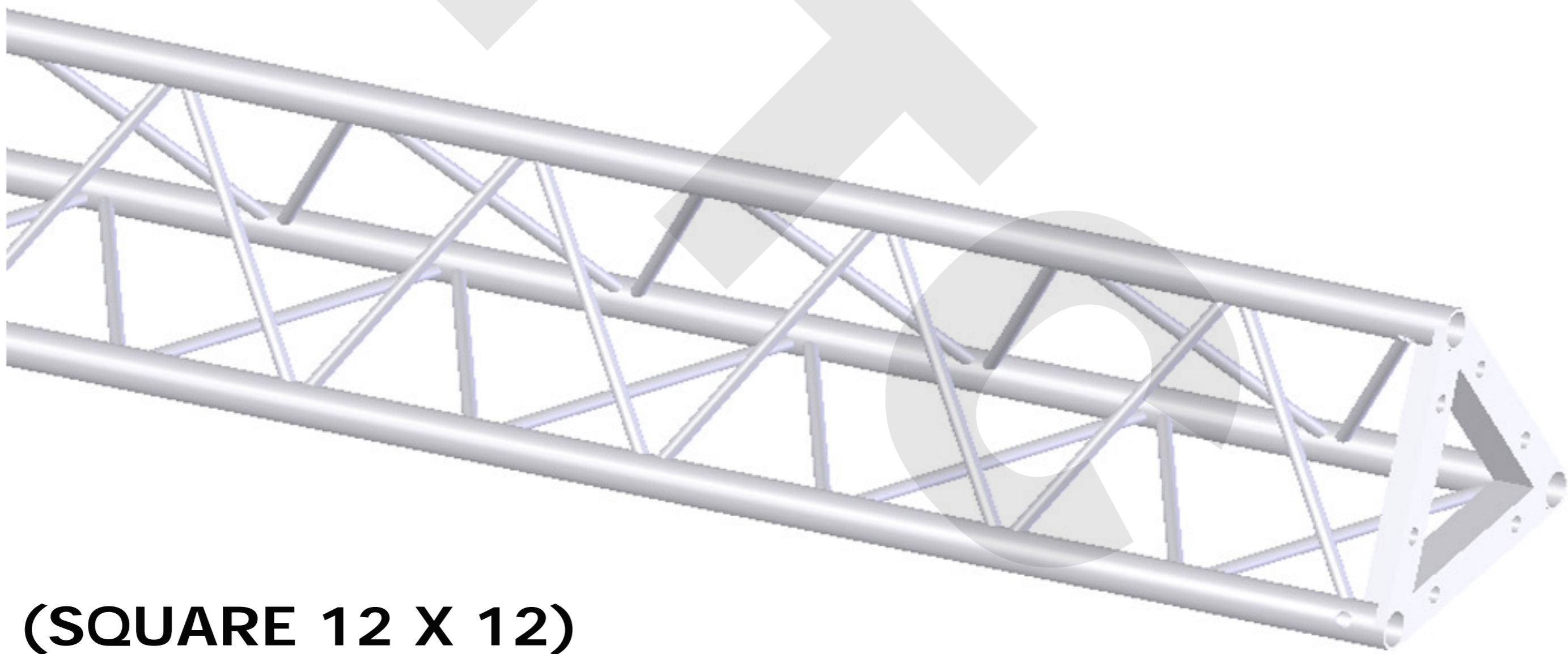
**(SQUARE 12 X 12)**



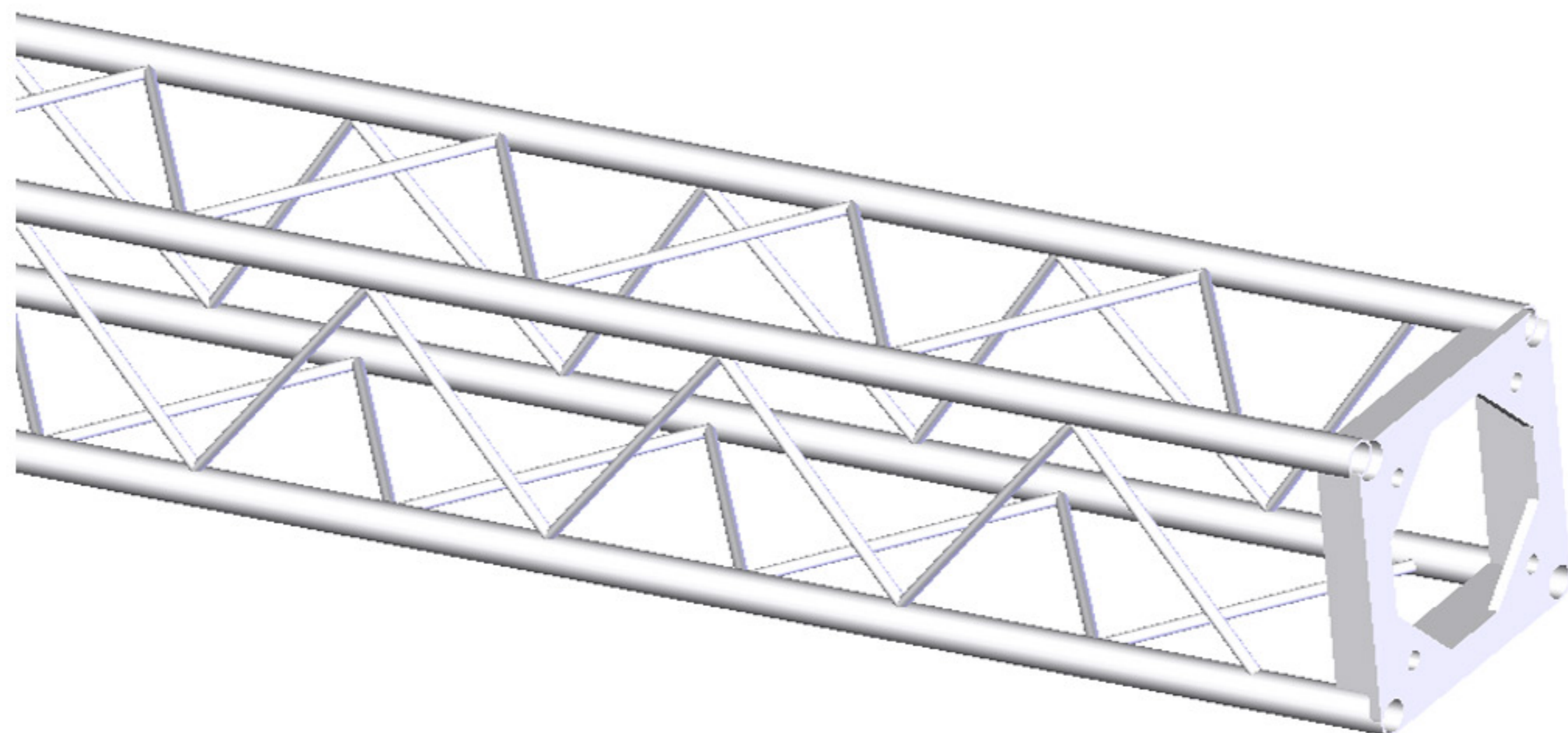
## **1.5 GENERAL DUTY**

- ALL MEMBERS ALUMINUM ALLOY 6061-T6
- TOP & BOTTOM CHORDS ARE 1-1/2" DIA. X 0.125" PIPES
- DIAGONAL MEMBERS ARE 1/2" SOLID RODS
- ALL END CONNECTION BOLTS 5/8" - A307
- Available Truss ANY Length & Width

**(TRIANGULAR 12)**



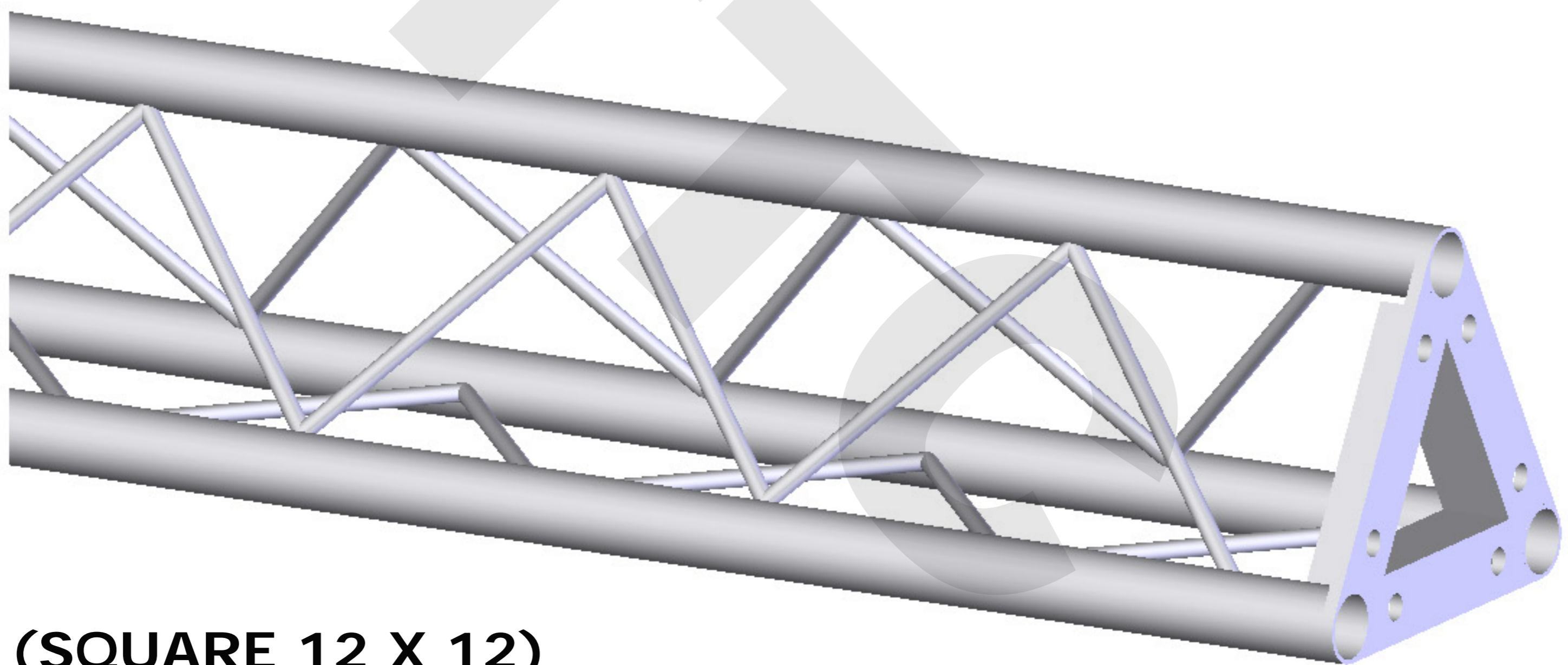
**(SQUARE 12 X 12)**



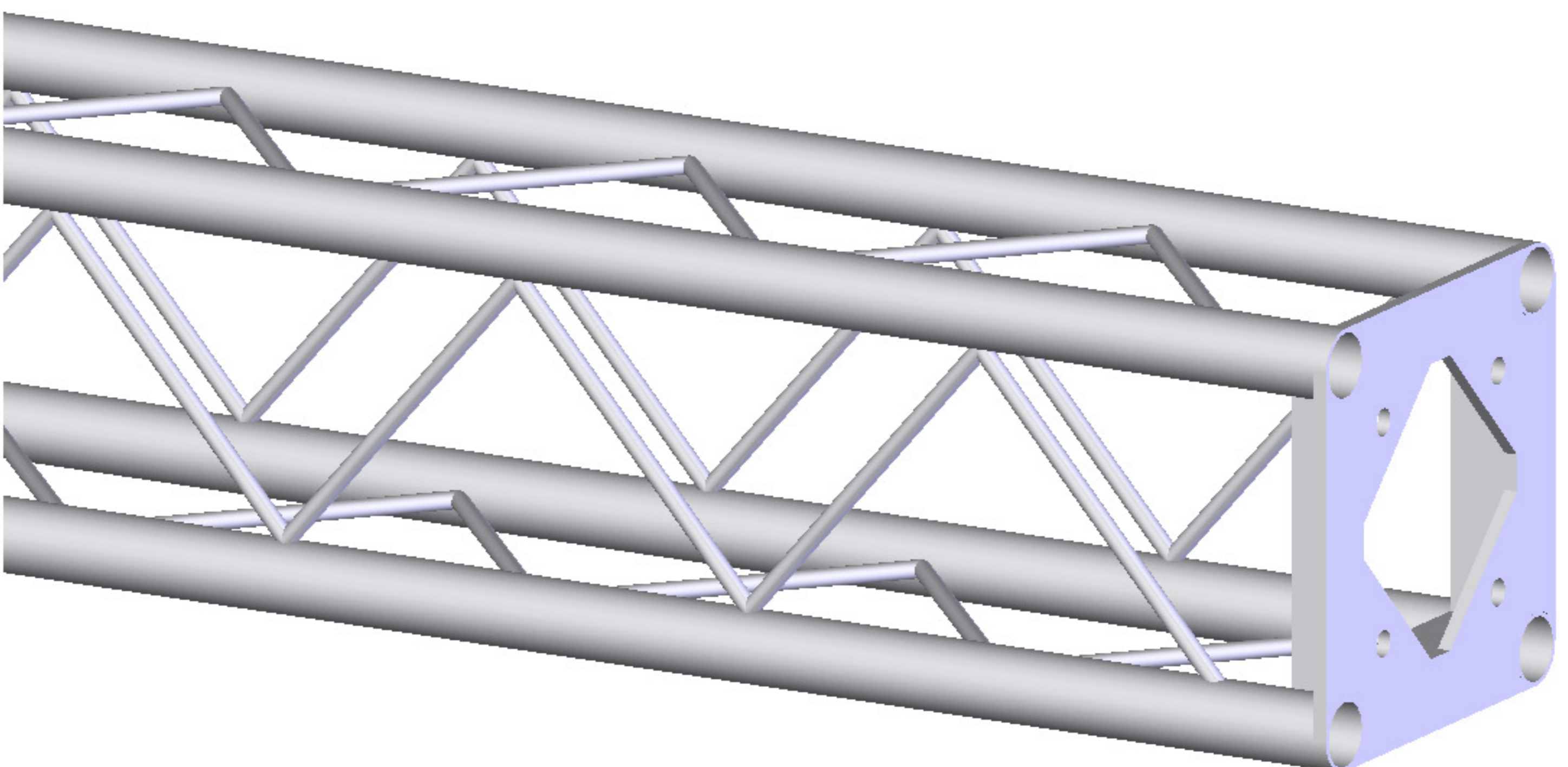
## 2.0 GENERAL DUTY

- ALL MEMBERS ALUMINUM ALLOY 6061-T6
- TOP & BOTTOM CHORDS ARE 2" DIA. X 0.125" PIPES
- DIAGONAL MEMBERS ARE 1/2" SOLID RODS
- ALL END CONNECTION BOLTS 5/8" - A307
- Available Truss ANY Length & Width

(TRIANGULAR 12)



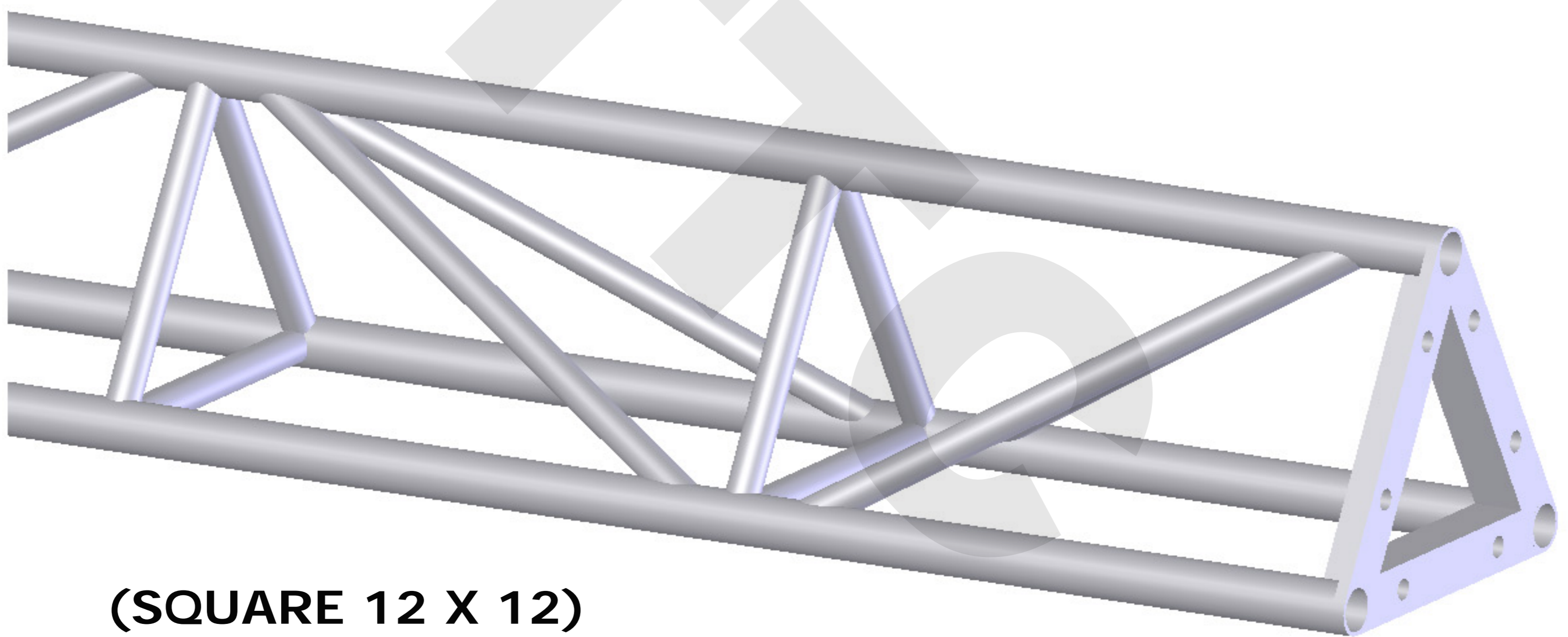
(SQUARE 12 X 12)



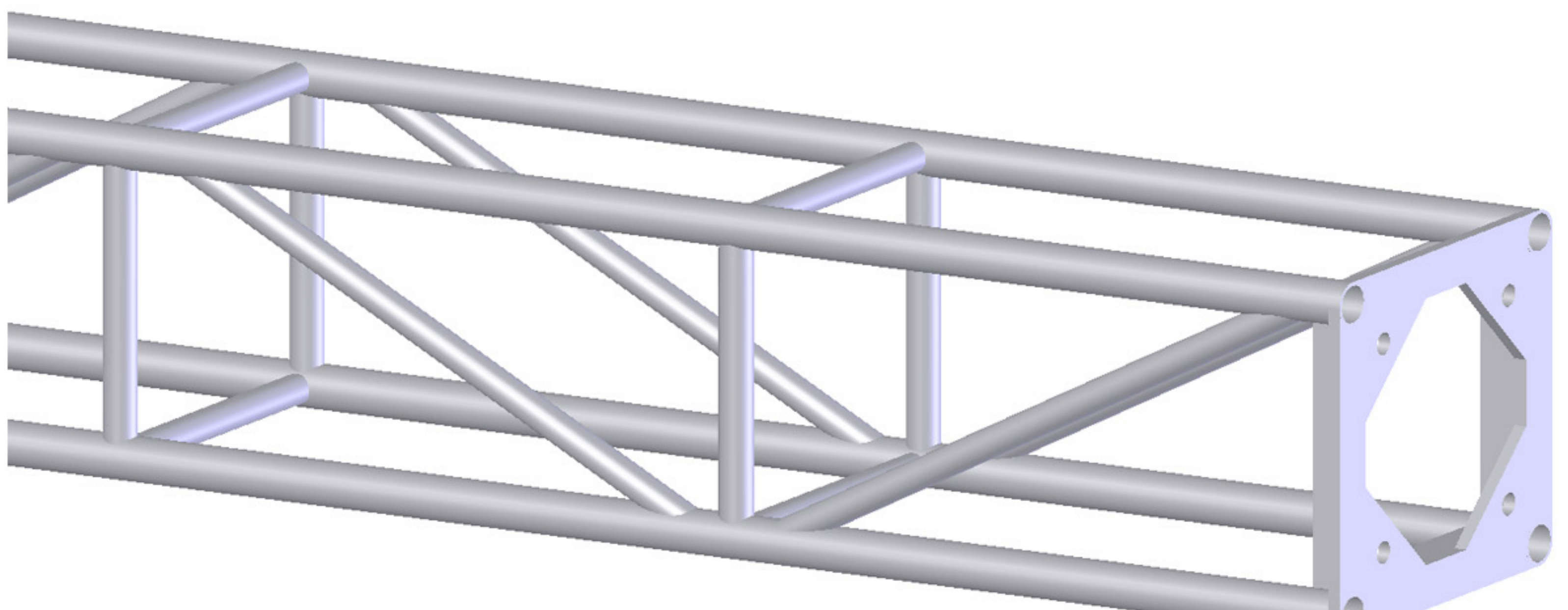
# 1.5 HEAVY DUTY

- ALL MEMBERS ALUMINUM ALLOY 6061-T6
- TOP & BOTTOM CHORDS ARE 1-1/2" DIA. X 0.125" PIPES
- DIAGONAL & INNER VERTICLE BRACES ARE  
1"DIA X 0.125 TUBES
- ALL END CONNECTION BOLTS 5/8" - A307
- Available Truss ANY Length & Width

(TRIANGULAR 12)



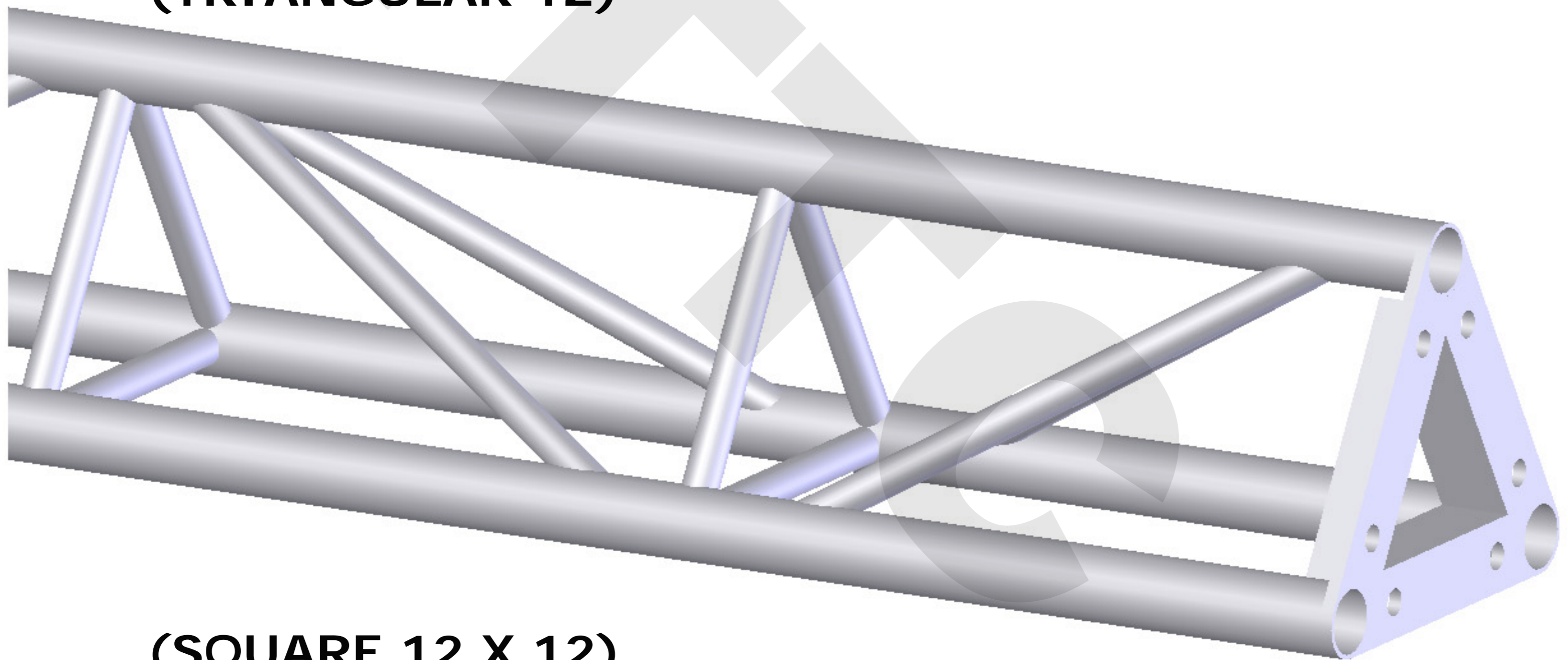
(SQUARE 12 X 12)



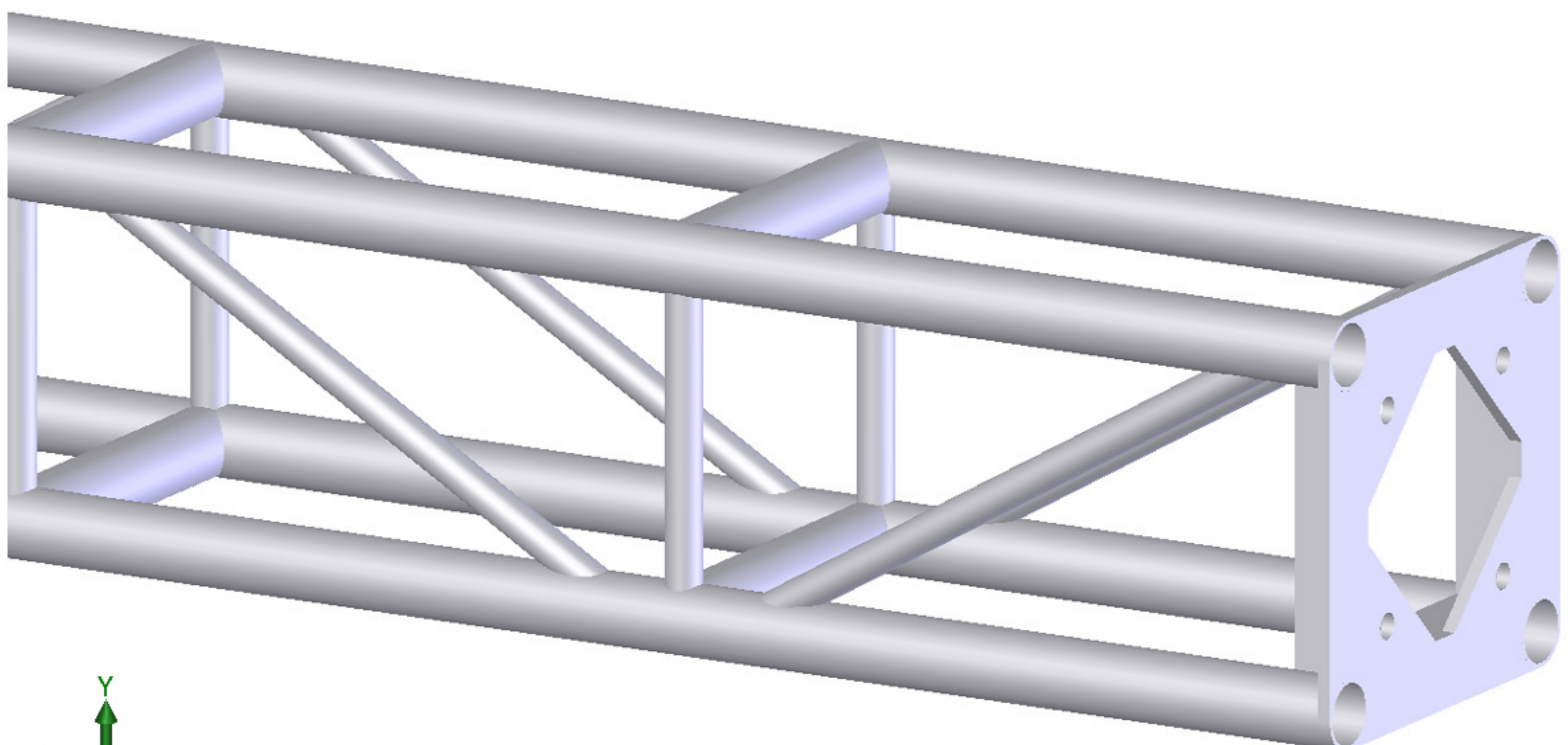
## 2.0 HEAVY DUTY

- ALL MEMBERS ALUMINUM ALLOY 6061-T6
- TOP & BOTTOM CHORDS ARE 2" DIA. X 0.125" PIPES
- DIAGONAL & INNER VERTICLE BRACES ARE  
1"DIA X 0.125 TUBES
- ALL END CONNECTION BOLTS 5/8" - A307
- Available Truss ANY Length & Width

(TRIANGULAR 12)



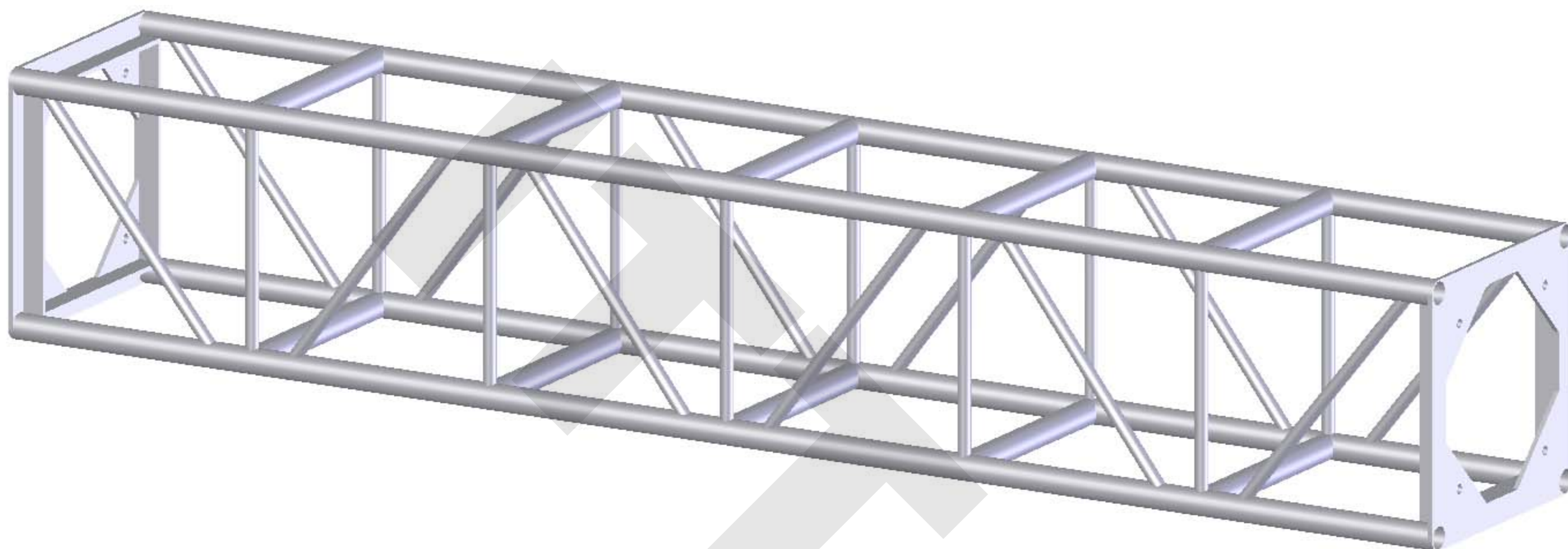
(SQUARE 12 X 12)



# CONCERT SERIES

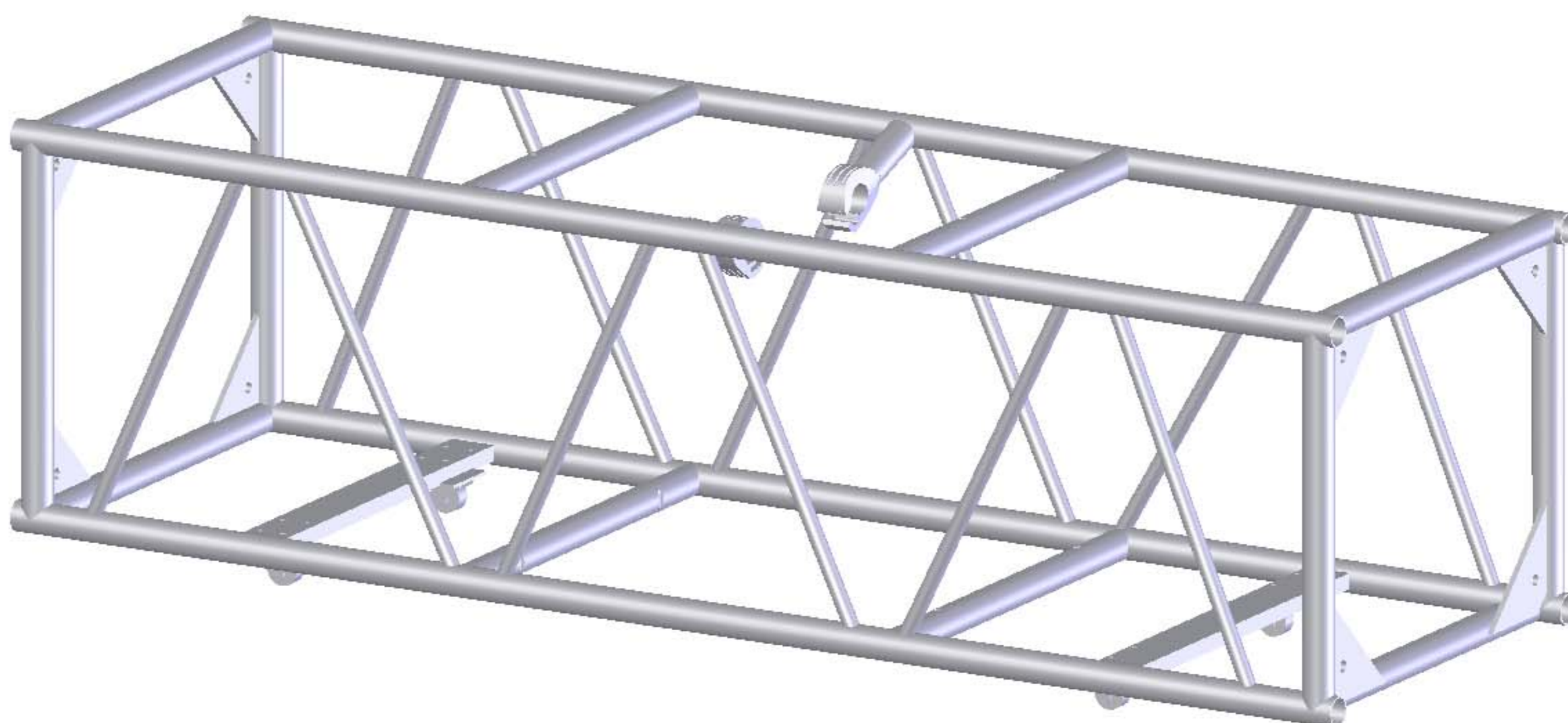
## (SQUARE 20.5)

- ALL MEMBERS ALUMINUM ALLOY 6061-T6
- TOP & BOTTOM CHORDS ARE 2" DIA. X 0.125" PIPES
- DIAGONAL & INNER VERTICLE BRACES ARE 2"DIA X 0.125 TUBES & 1" DIA X 0.125" TUBES
- ALL END CONNECTION BOLTS 5/8" - A307



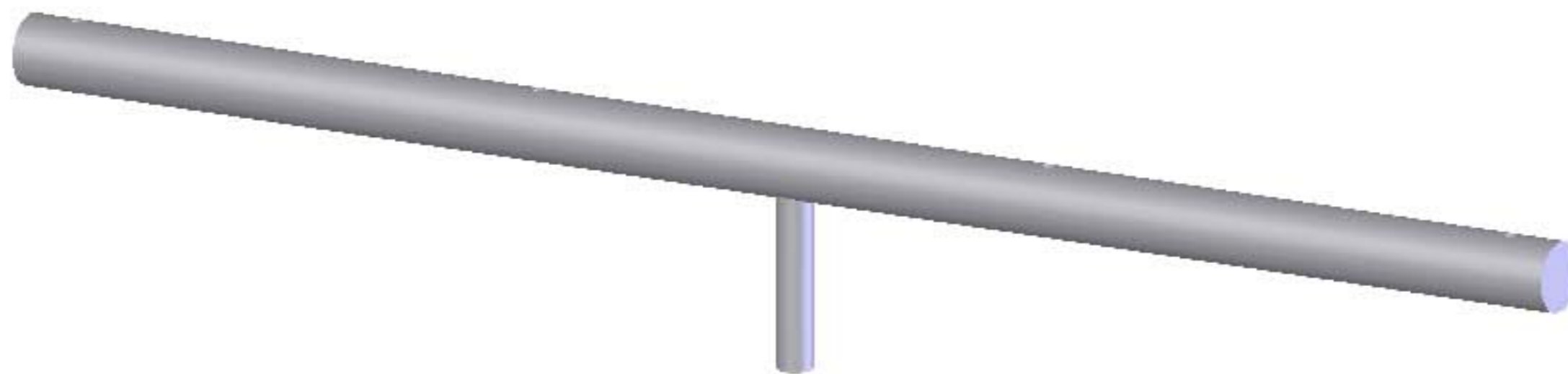
## (PAR 12)

- ALL MEMBERS ALUMINUM ALLOY 6061-T6
- TOP & BOTTOM CHORDS ARE 2" DIA. X 0.125" PIPES
- DIAGONAL & INNER VERTICLE BRACES ARE 2"DIA X 0.125 TUBES & 1" DIA X 0.125" TUBES



# ADAPTERS

(4' CROSS BAR - ROUND)



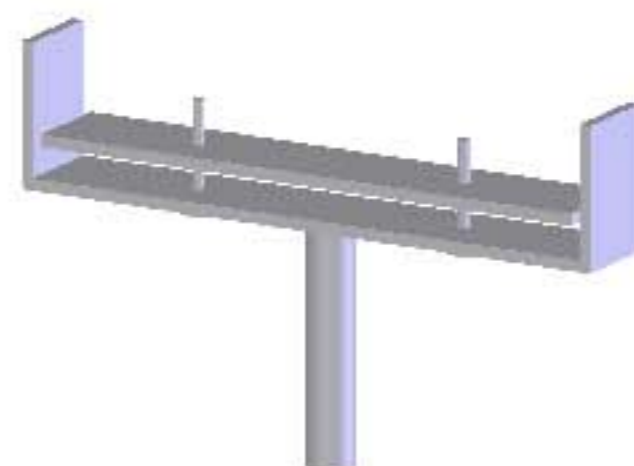
(4' CROSS BAR - SQUARE)



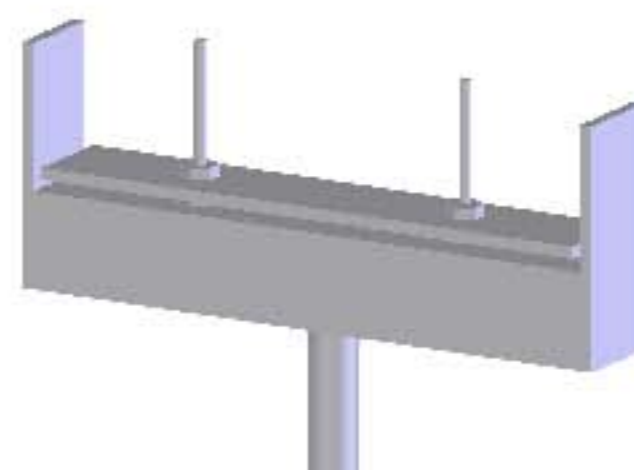
(V - ADAPTER)



(FLAT ADAPTER W/LOCKING PLATE)



(HEAVY DUTY FLAT ADAPTER W/LOCKING PLATE)



# **CRANK STANDS**

**(CS - 12)**



**CRANK UP STAND WITH  
LOCKING WINCH AND  
AIRCRAFT CABLE  
11' HIGH  
200 LB. CAPACITY**

**(CS - 15)**



**HEAVY DUTY 3 SECTION  
CRANK UP STAND WITH  
LOCKING WINCH AND  
AIRCRAFT CABLE  
15' HIGH  
300 LB. CAPACITY**

# **CRANK STANDS**

**(CS - 16)**



**HEAVY DUTY 3 SECTION  
CRANK UP STAND WITH  
LOCKING WINCH AND  
AIRCRAFT CABLE  
16'-5" HIGH  
500 LB. CAPACITY**

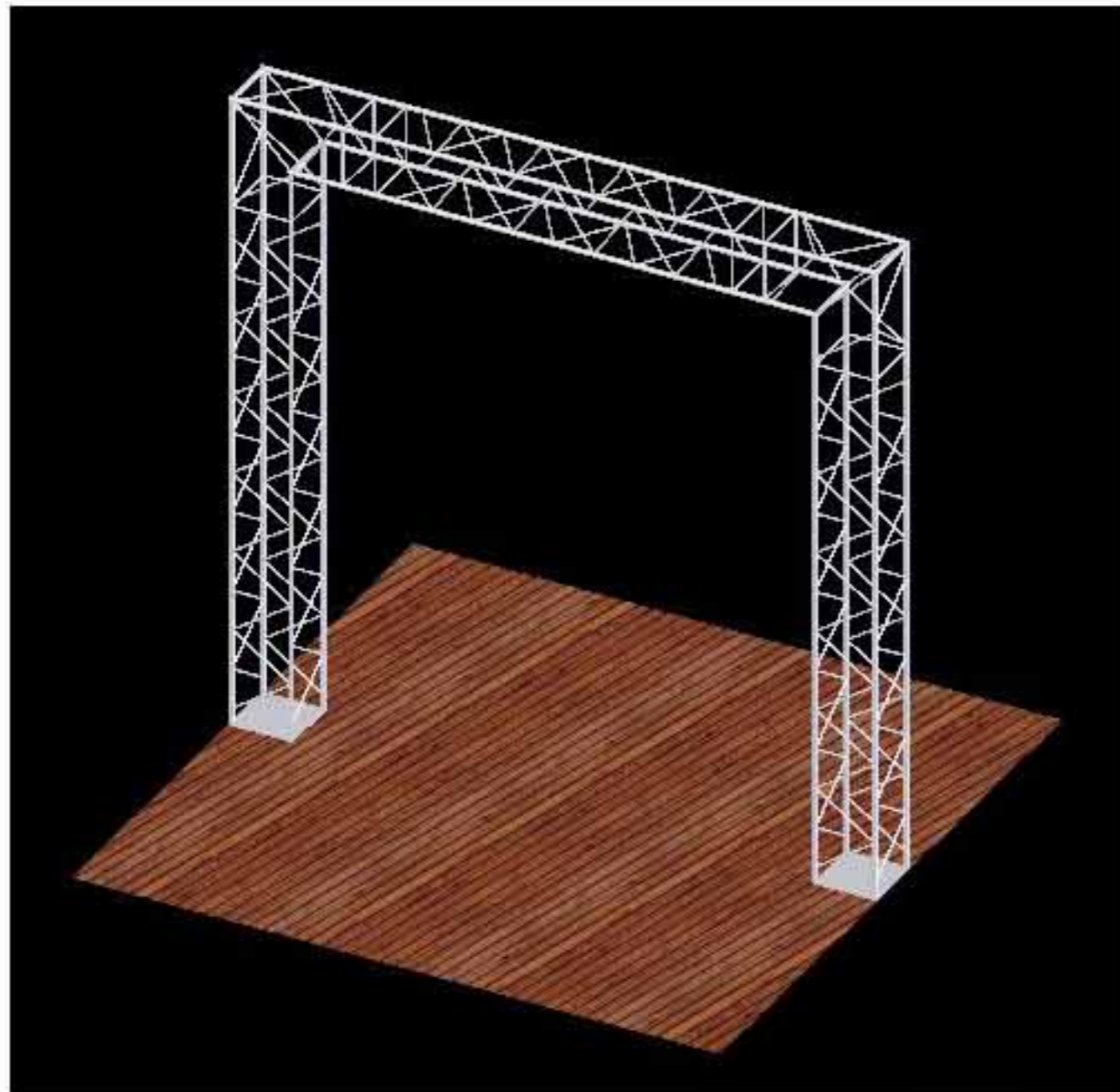
**(CS - 20)**



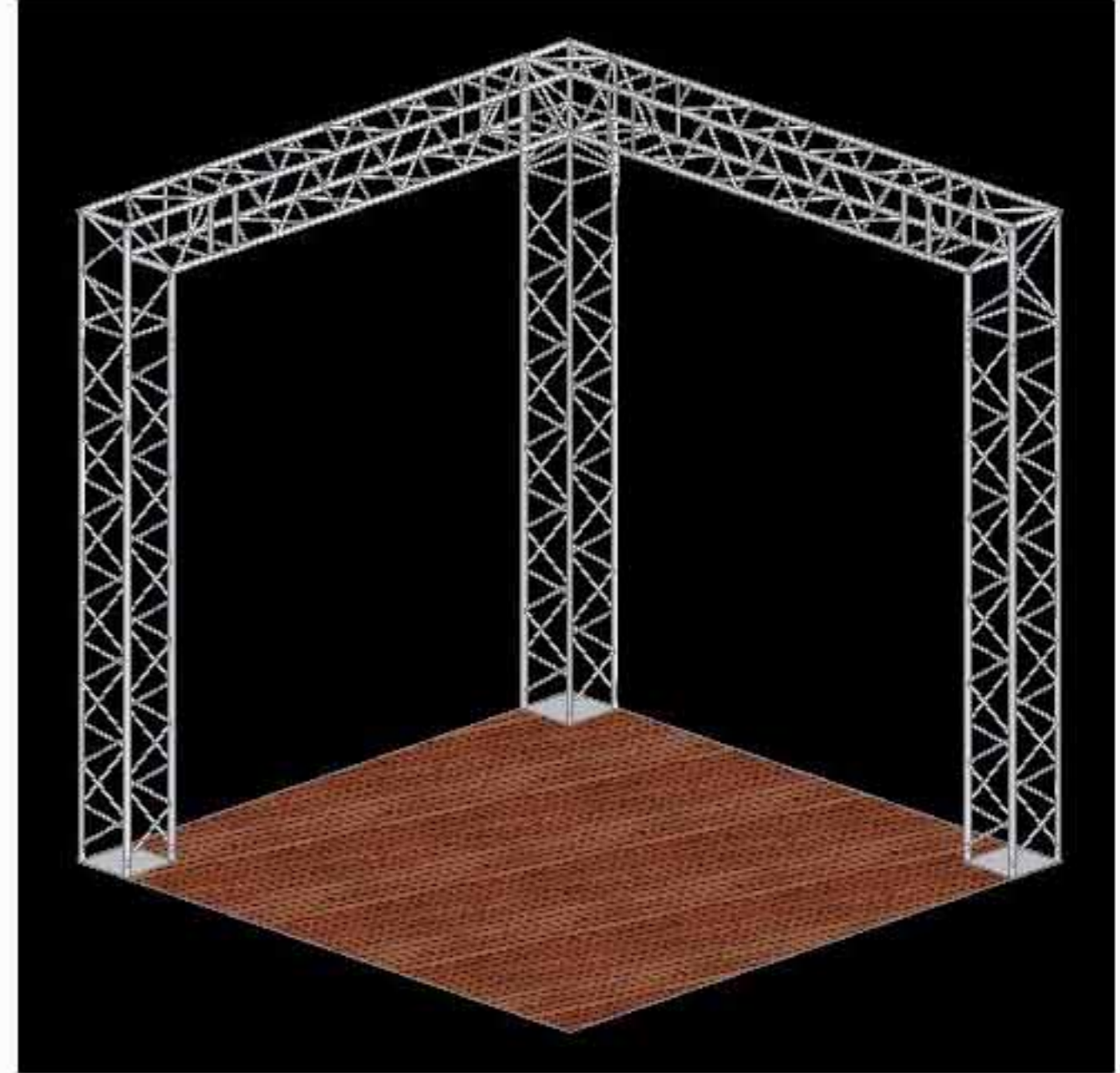
**HEAVY DUTY 4 SECTION  
CRANK UP STAND WITH  
LOCKING WINCH AND  
AIRCRAFT CABLE  
20' HIGH  
350 LB. CAPACITY**

# (Truss Trade Show Exhibits)

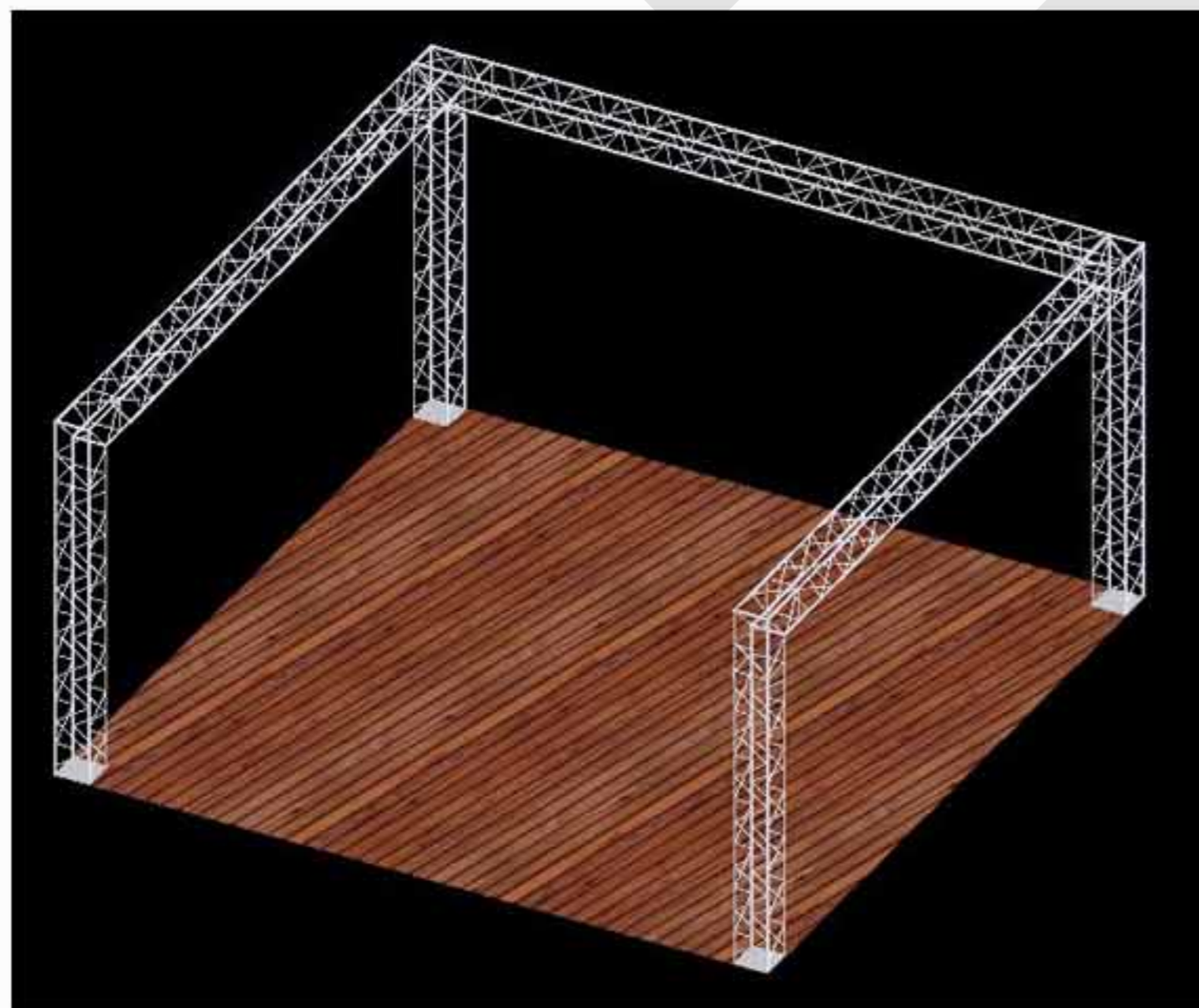
- All members Aluminum Alloy 6061-T6 (1" Main Tube & 1/2" Brace)
- This design is also available in Trianglar Truss.



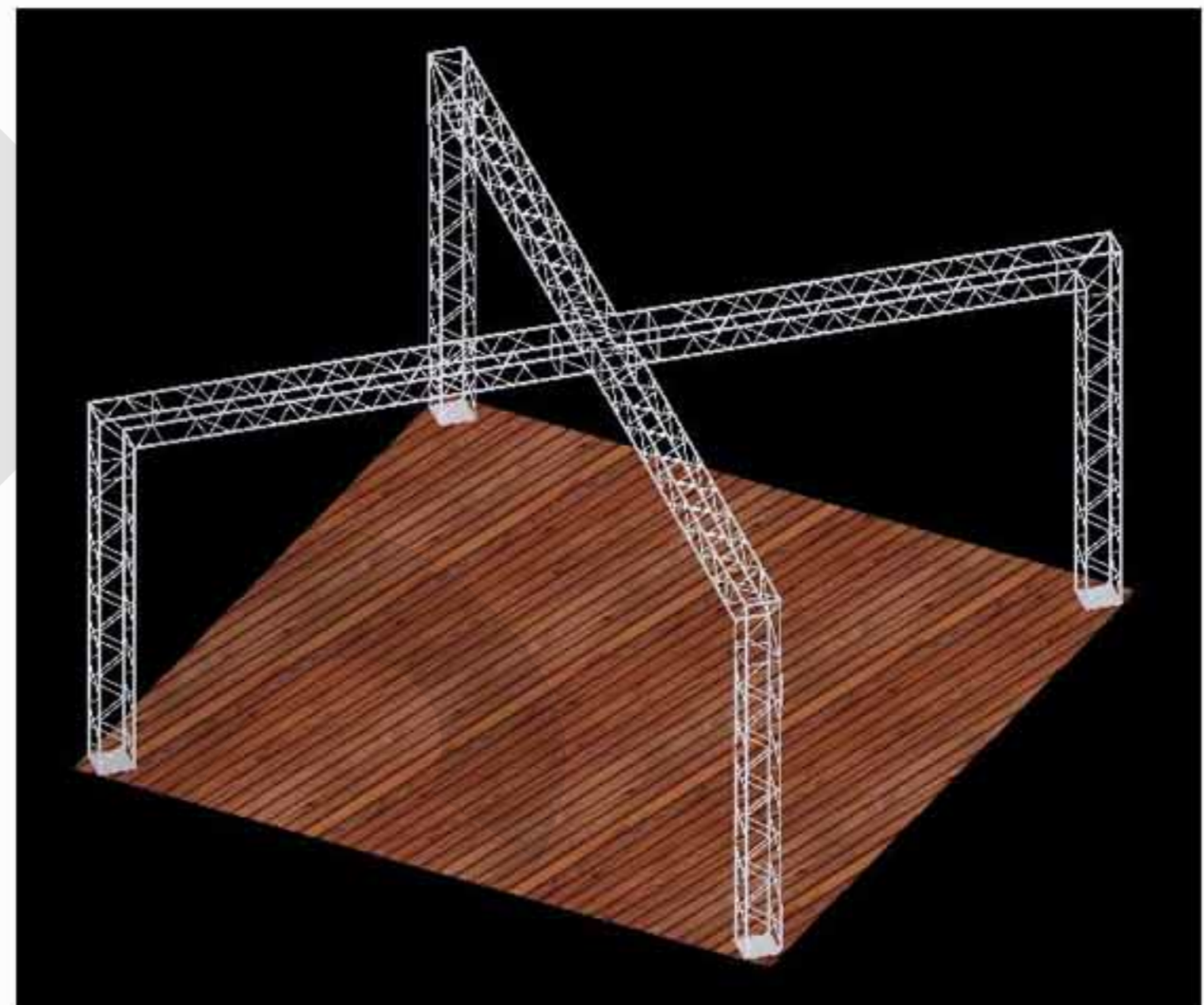
(Square Arch-10ft x 10ft)



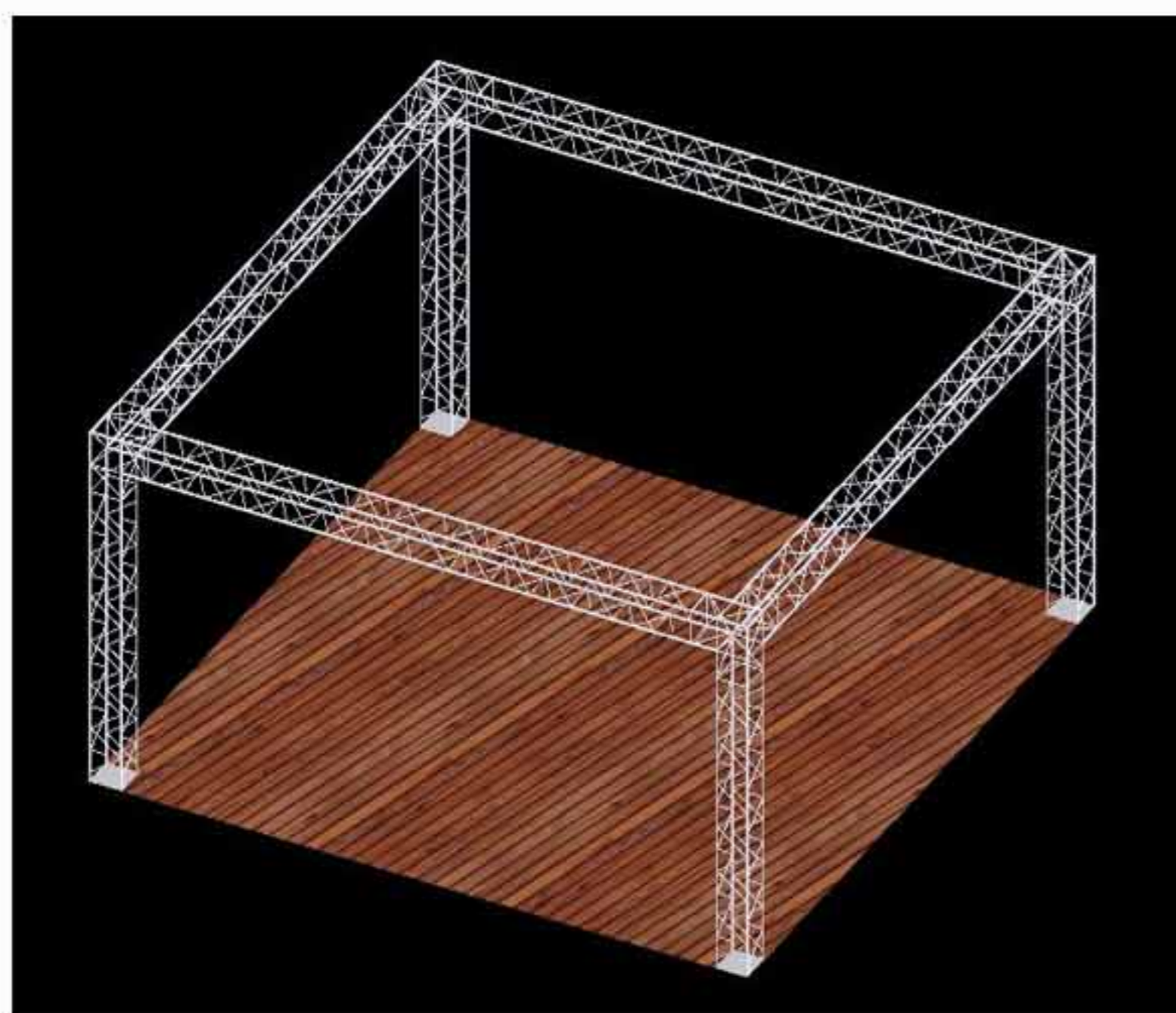
(L - Type 10ft x 10ft x 10ft)



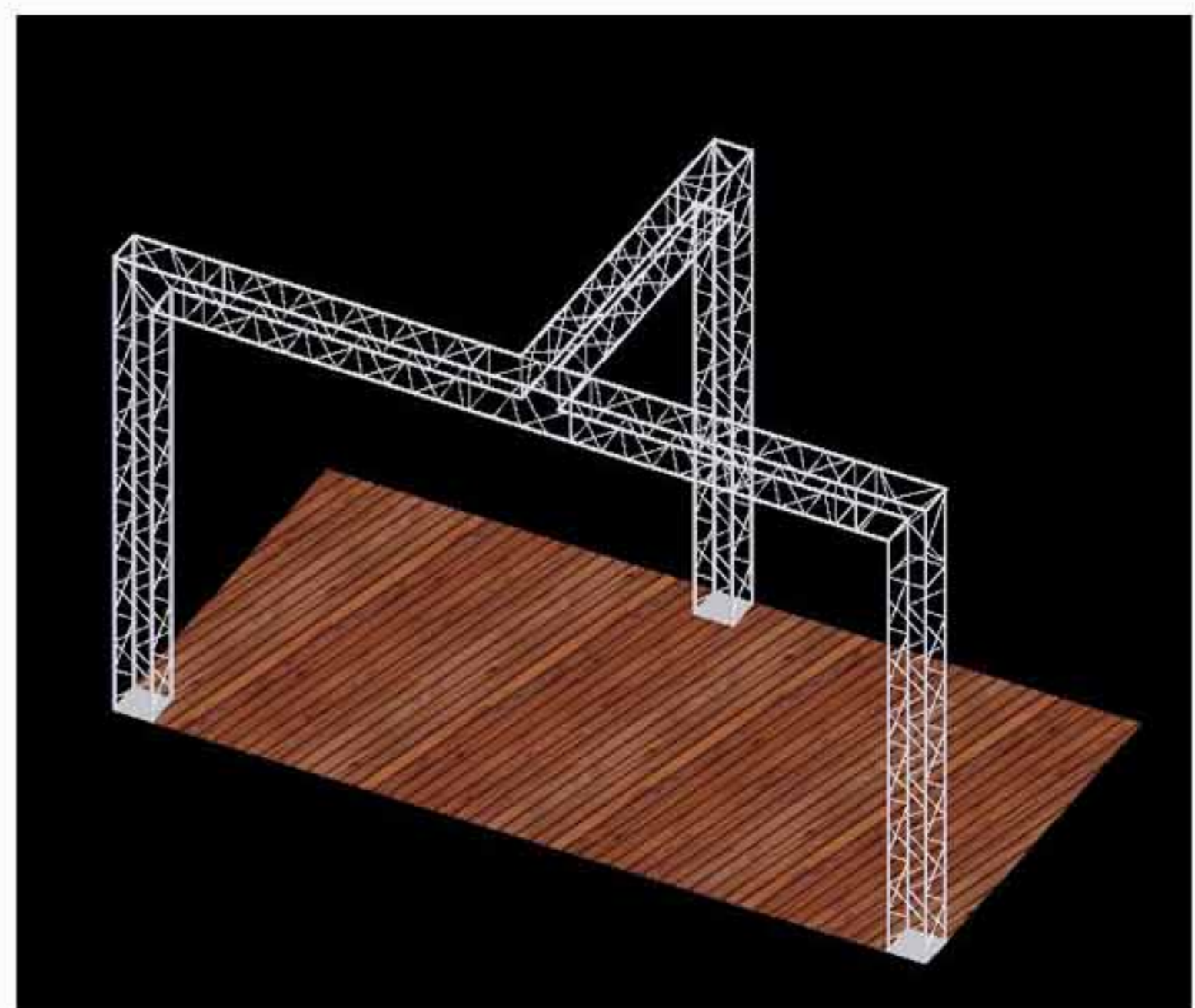
(Open Perimeter 20ft x 20ft x 10ft)



(X - Type 20ft x 20ft x 10ft)



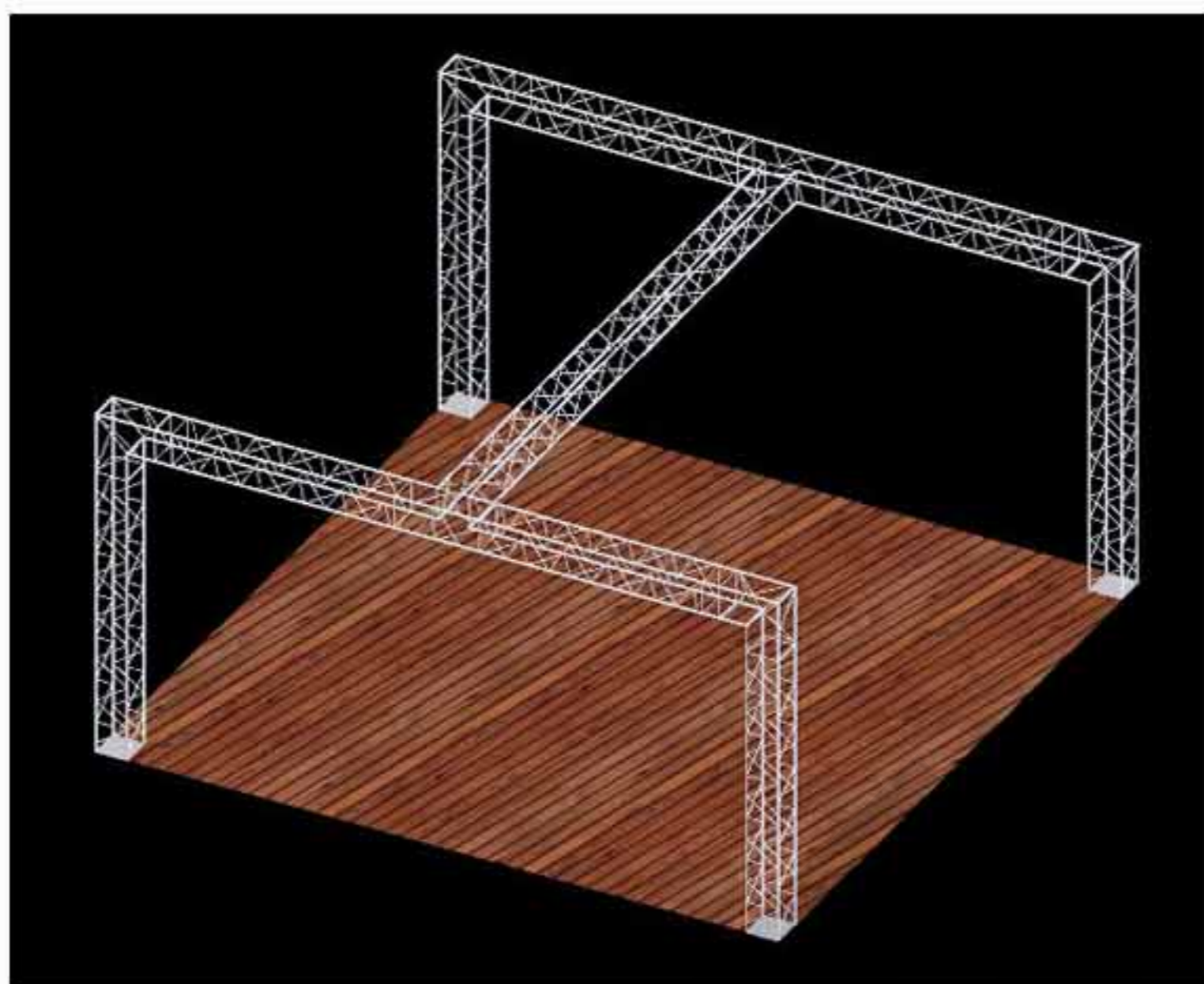
(Perimeter 20ft x 20ft x 10ft)



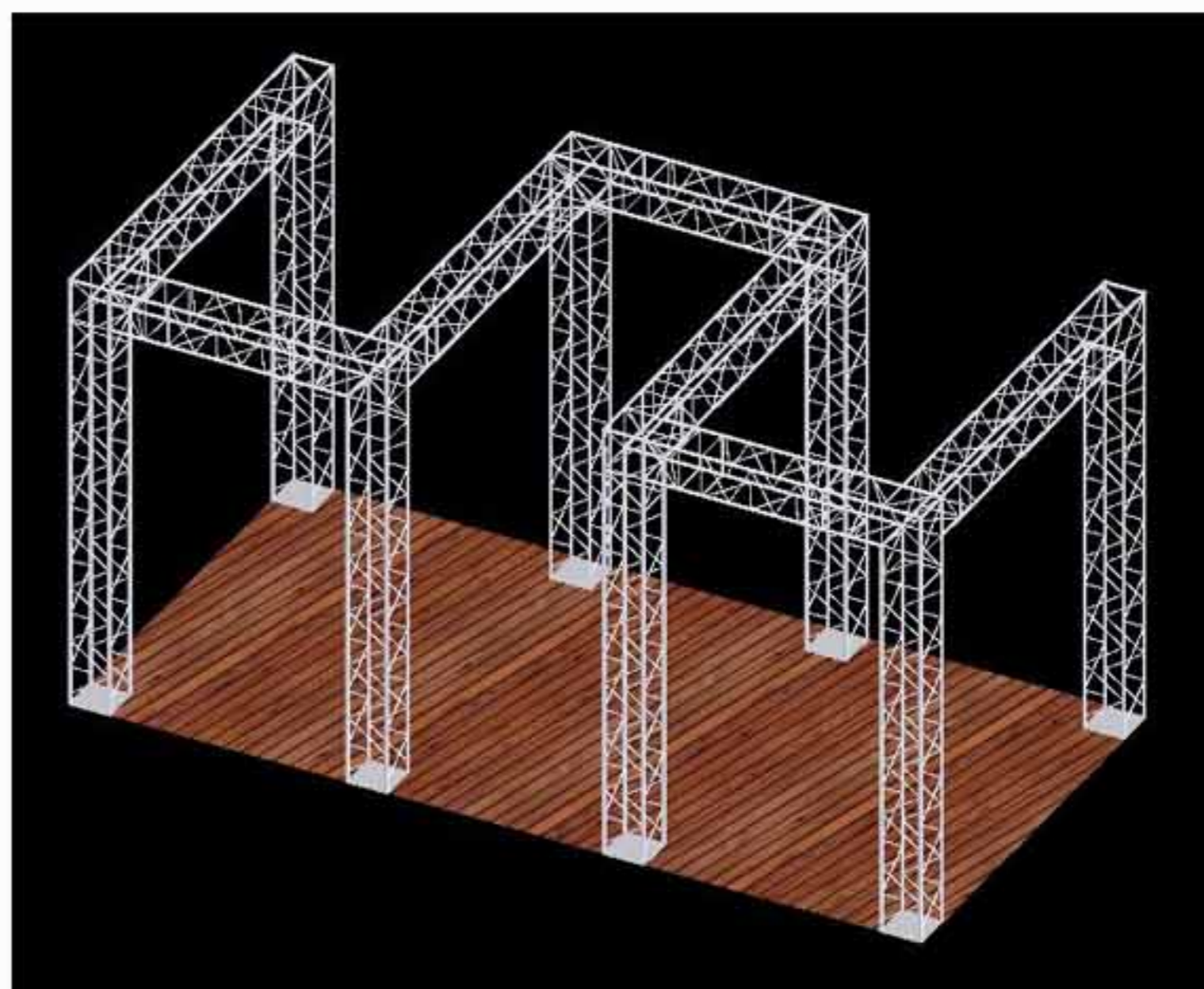
(T - Type 20ft x 10ft x 10ft)

# (Truss Trade Show Exhibits)

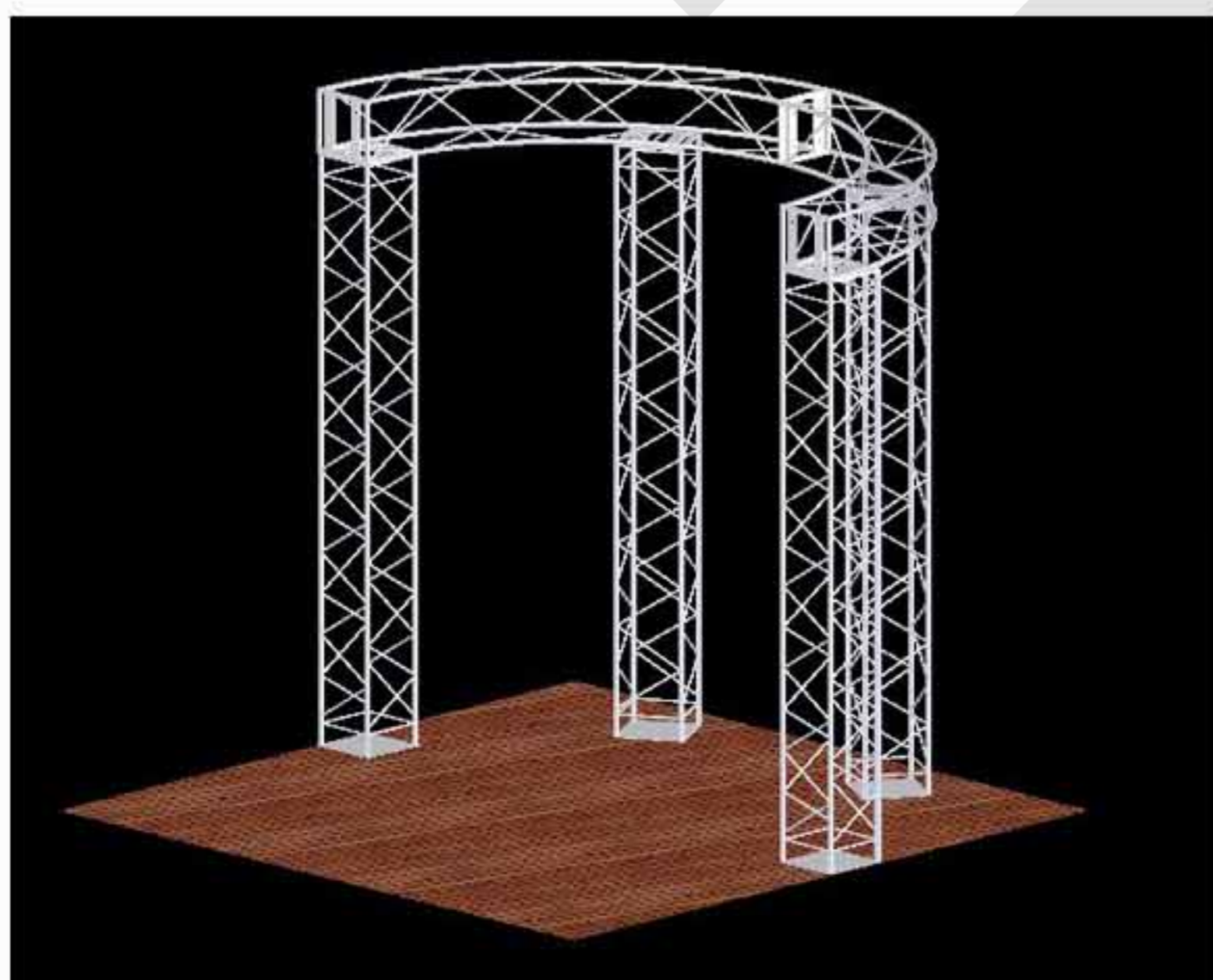
- All members Aluminum Alloy 6061-T6 (1" Main Tube & 1/2" Brace)
- This design is also available in Trianglar Truss.



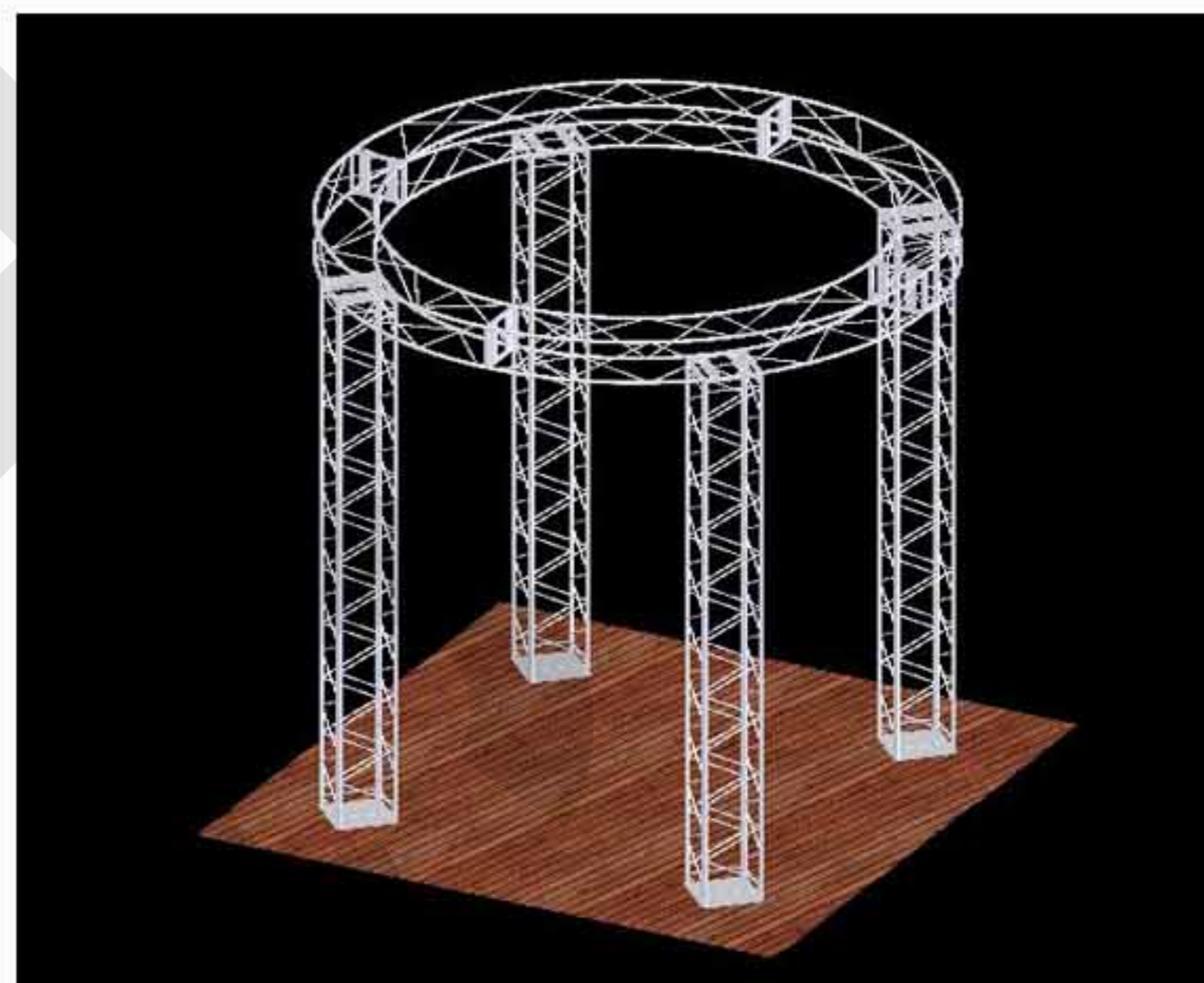
(Double Arch 20ft x 20ft x 10ft)



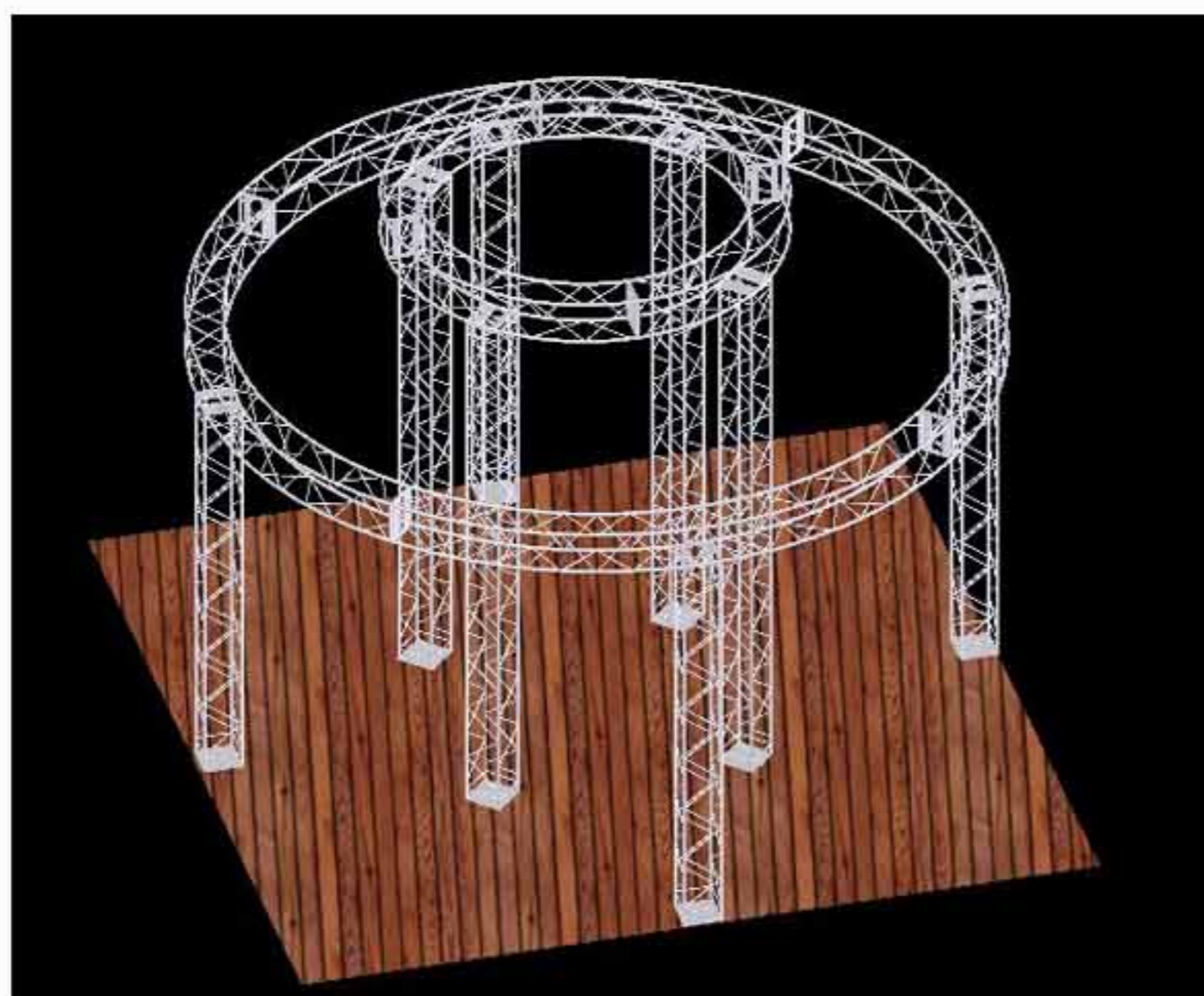
(3Side Open Perimeter 20ft x 10ft x 10ft)



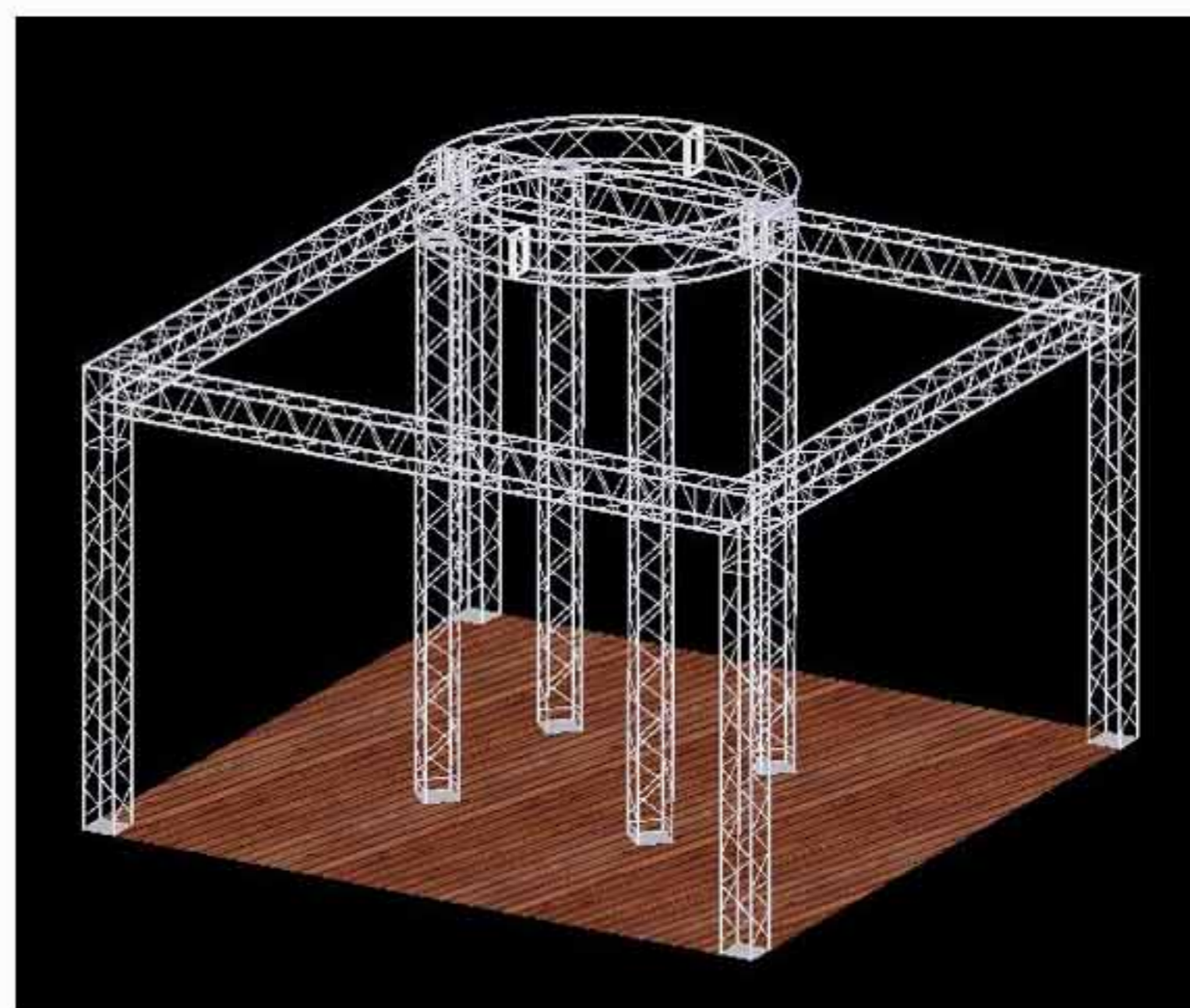
(Half Circle 20ft x 10ft x 10ft)



(Ring Tower 10ft x 10ft x 13ft)



(Double Ring Tower 20ft x 20ft x 13ft)



(Perimeter with Ring Tower 20ft x 20ft x 10ft)

# (GALLERY)

