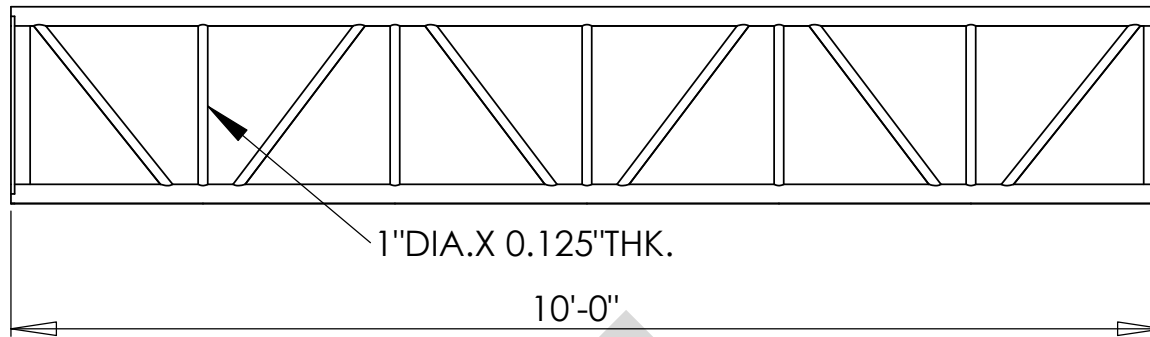
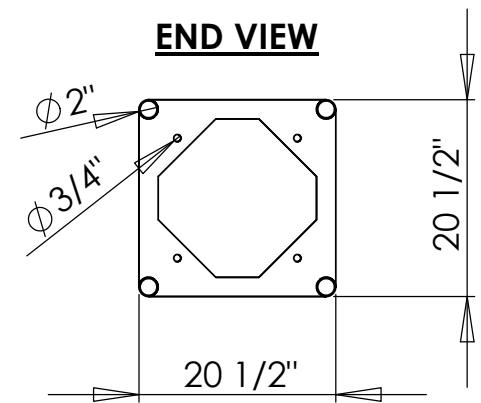


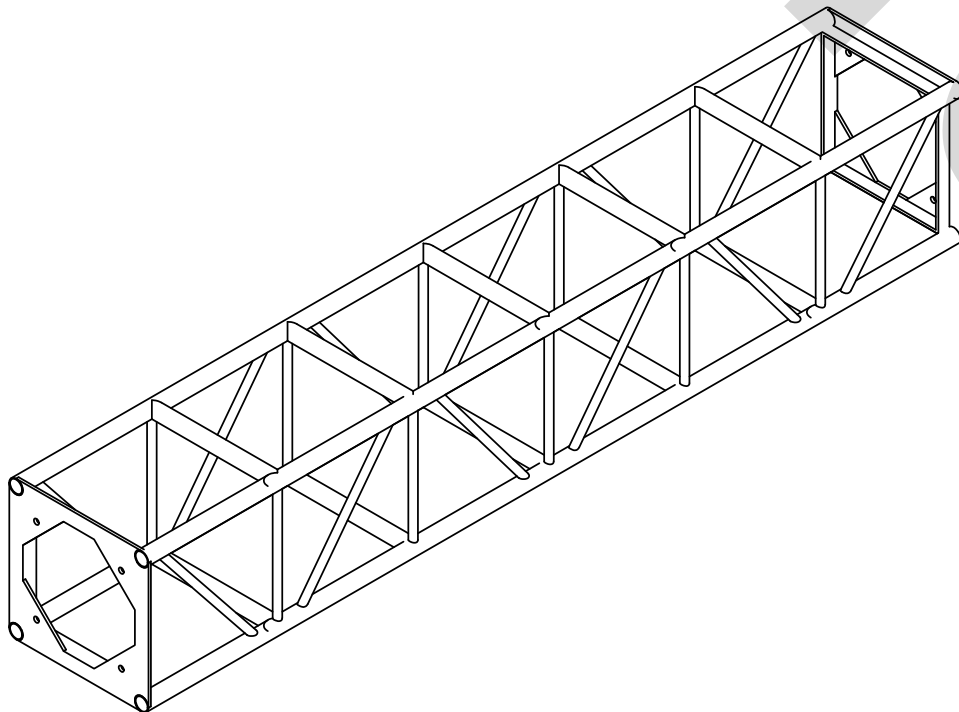
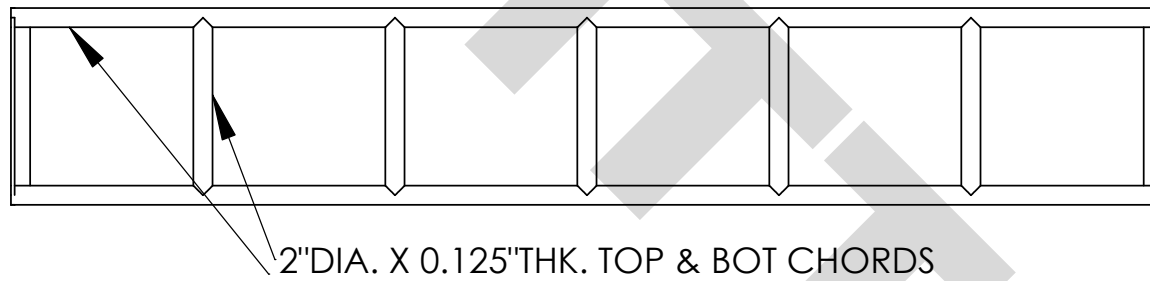
ELEVATION VIEW



END VIEW



TOP VIEW

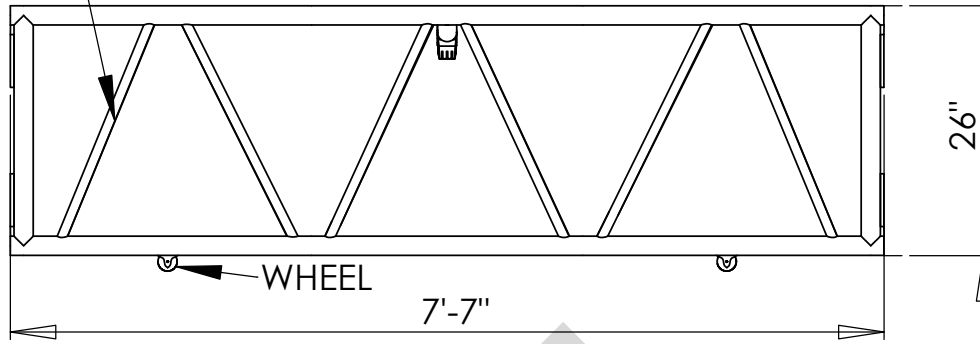


NOTE;
1. ALL MEMBERS ALUMINUM ALLOY 6061-T6
2. MAXIMUM DEFLECTION < LENGTH (INCHES) / 240

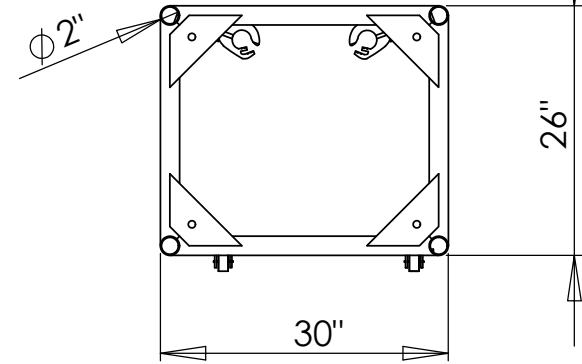
COMPANY	ITTCorp.		
TITLE	YELLOW 20.5X20.5		
DWG. NO.			
SCALE	1 : 20	DATE	042008

1"DIA.X0.125" PIPES

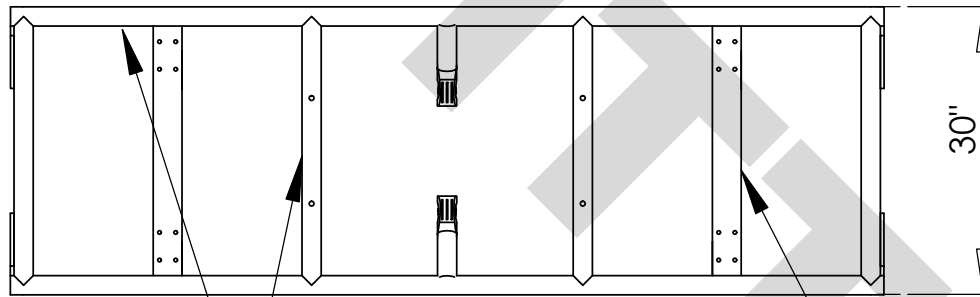
ELEVATION VIEW



END VIEW

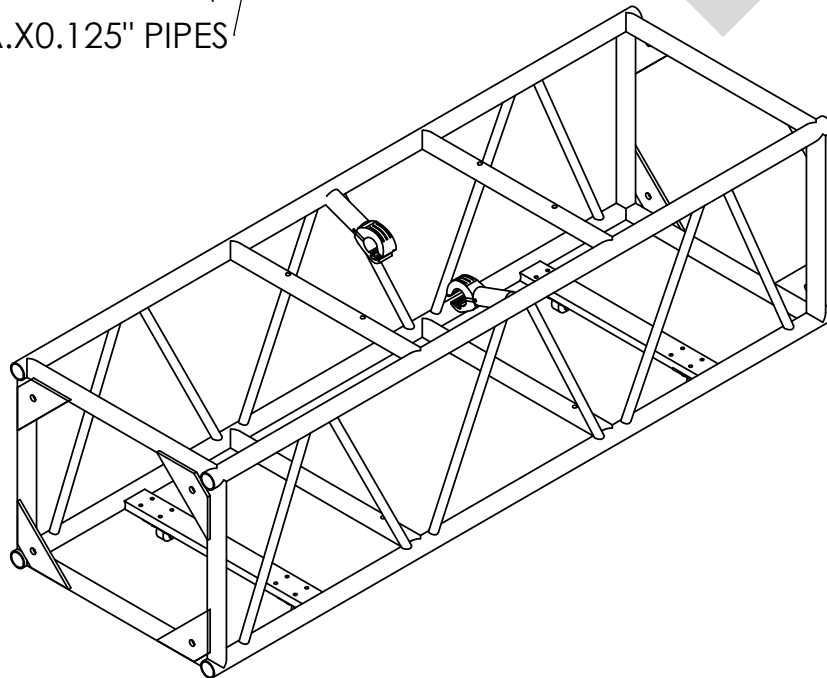


TOP VIEW



2"DIA.X0.125" PIPES

WHEEL SUPPORT AT BOTTOM



NOTE;
 1.ALL MEMBERS ALUMINUM ALLOY 6061-T6
 2.MAXIMUM DEFLECTION < LENGTH(INCHES)/240

COMPANY	ITTCorp.		
TITLE	PAR 12		
DWG. NO.			
SCALE	1 : 20	DATE	042008