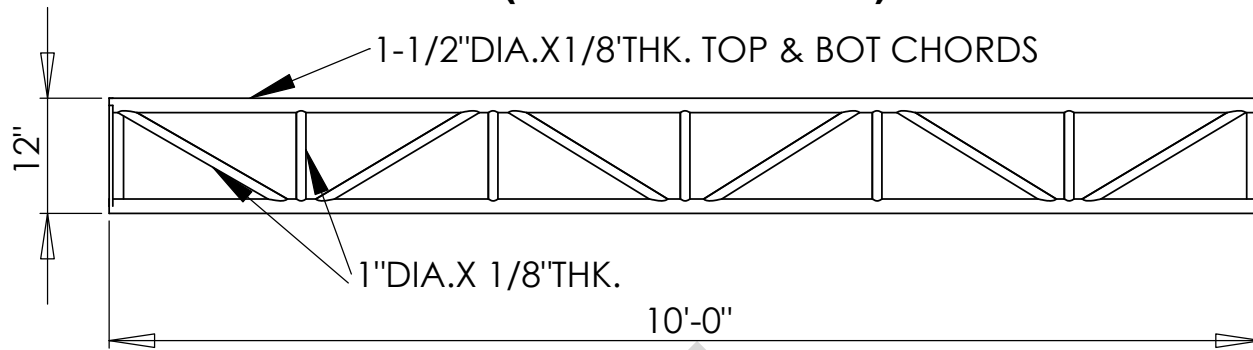
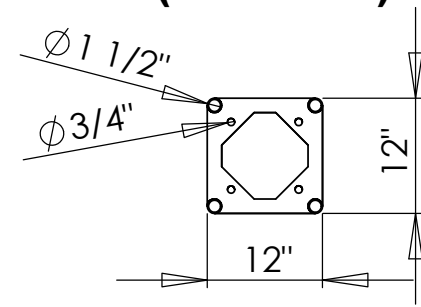


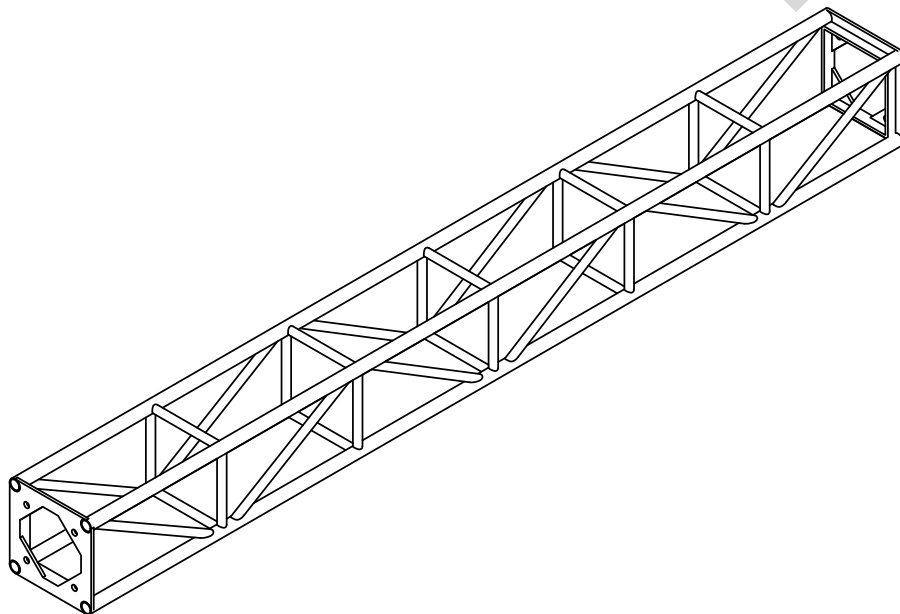
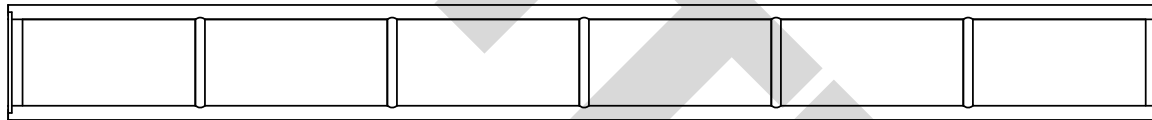
**(ELEVATION VIEW)**



**(END VIEW)**



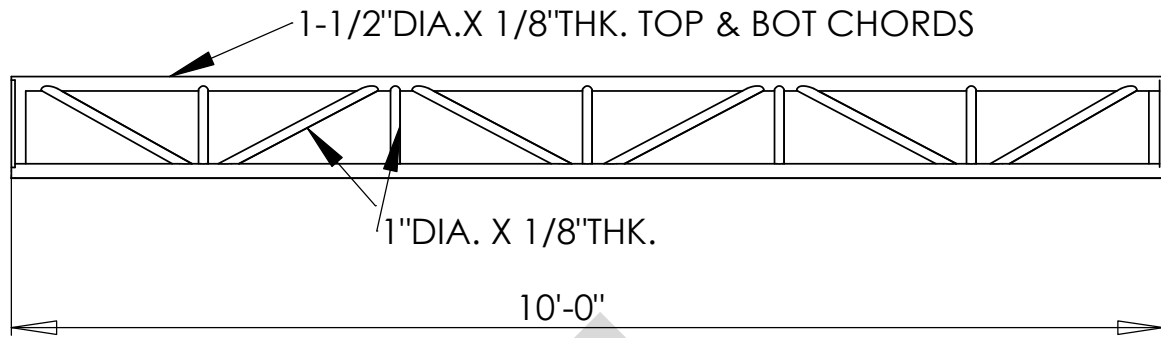
**(TOP VIEW)**



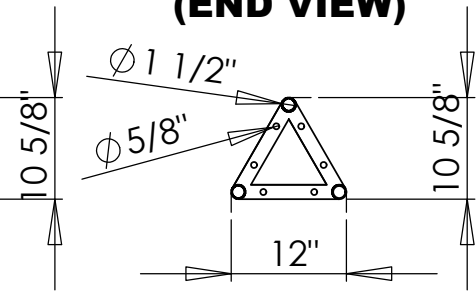
- NOTE;
- 1.ALL MEMBERS ALUMINUM ALLOY 6061-T6
  - 2.ALL END CONNECTION BOLTS 5/8"DIA. - A307
  - 3.MAXIMUM DEFLECTION < LENGTH(INCHES)/240

COMPANY	<b>ITTCorp.</b>		
TITLE	<b>TAN 12X12</b>		
DWG. NO.	S2212101		
SCALE	1 : 20	DATE	042008

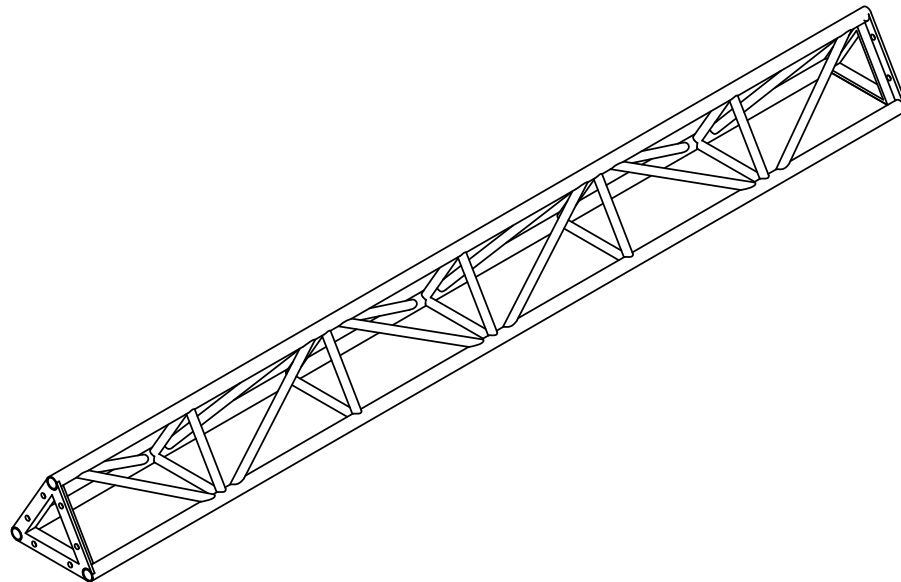
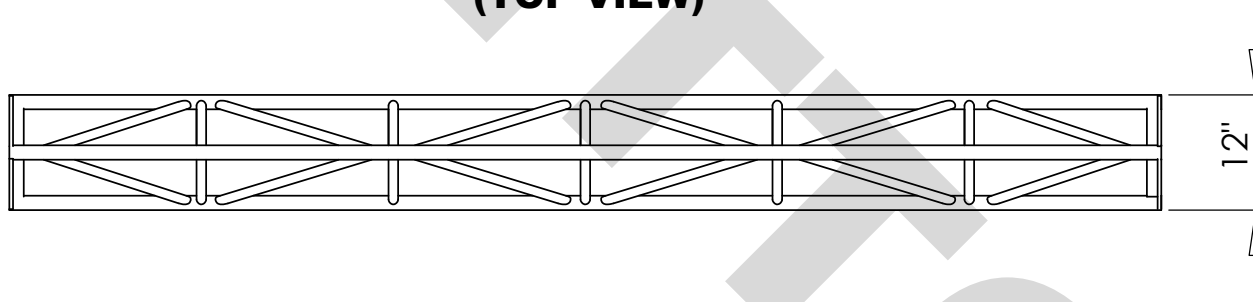
**(ELEVATION VIEW)**



**(END VIEW)**



**(TOP VIEW)**



- NOTE;
- 1.ALL MEMBERS ALUMINUM ALLOY 6061-T6
  - 2.ALL END CONNECTION BOLTS 5/8"DIA. - A307
  - 3.MAXIMUM DEFLECTION < LENGTH(INCHES)/240

COMPANY	<b>ITTCorp.</b>		
TITLE	<b>TAN 12X12</b>		
DWG. NO.	T2216101		
SCALE	1 : 20	DATE	042008