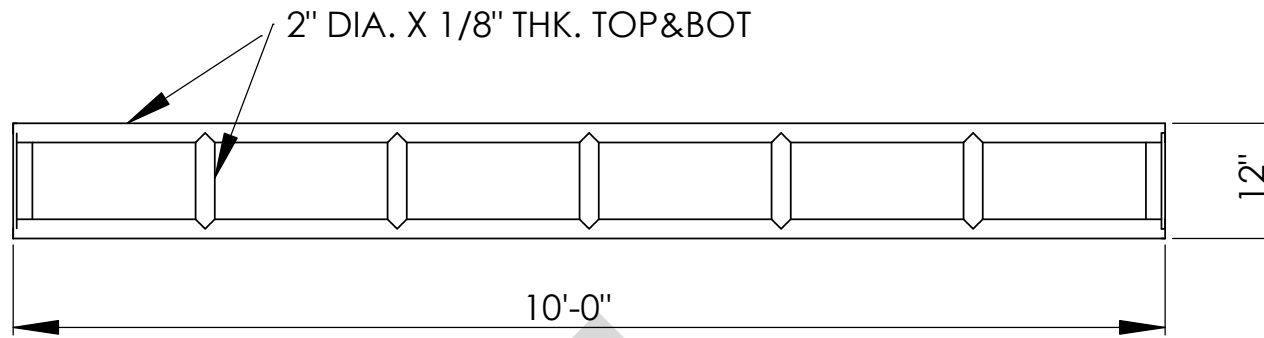
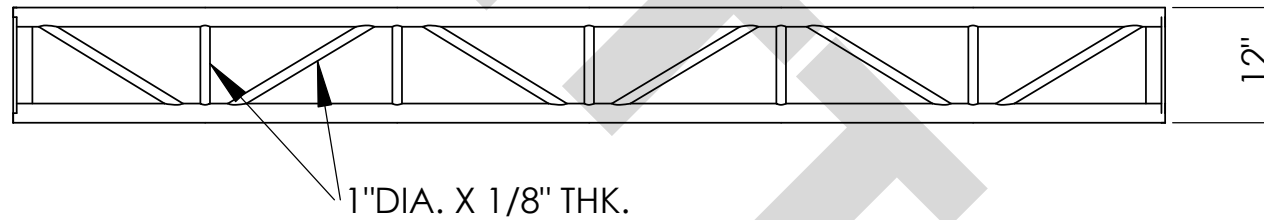


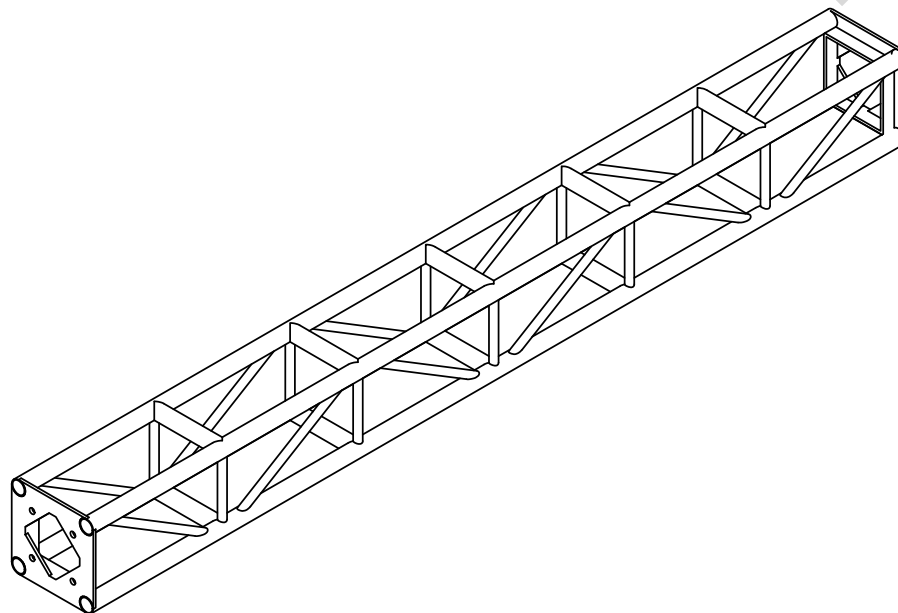
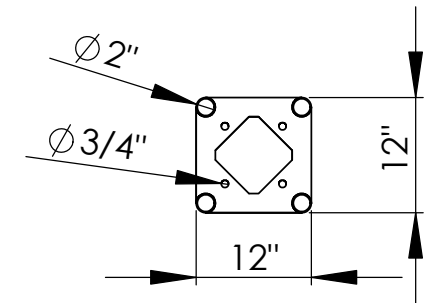
(TOP VIEW)



(ELEVATION VIEW)



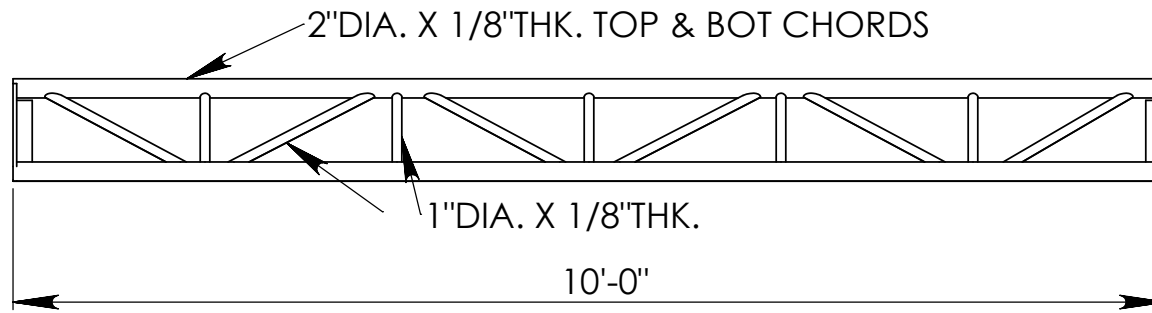
(END VIEW)



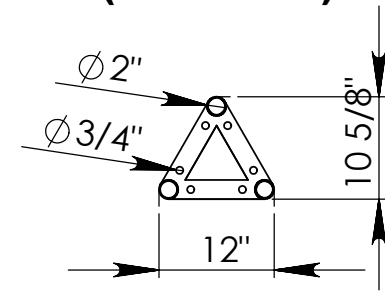
- NOTE;
1. ALL MEMBERS ALUMINUM ALLOY 6061-T6
2. ALL END CONNECTION BOLTS 5/8" DIA. - A307
3. MAXIMUM DEFLECTION < LENGTH (INCHES) / 240

COMPANY	ITTCorp.		
TITLE	YELLOW 12X12		
DWG. NO.	S3212101		
SCALE	1 : 20	DATE	042008

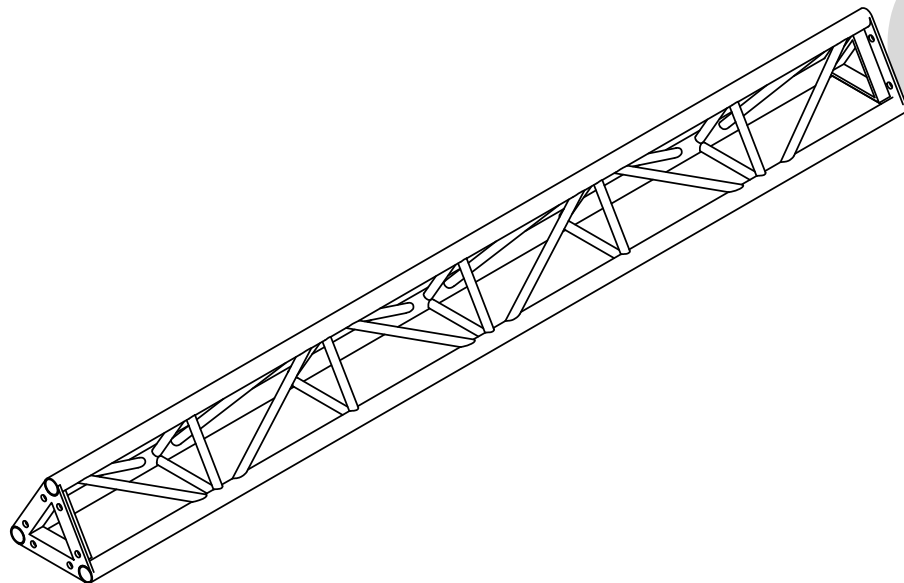
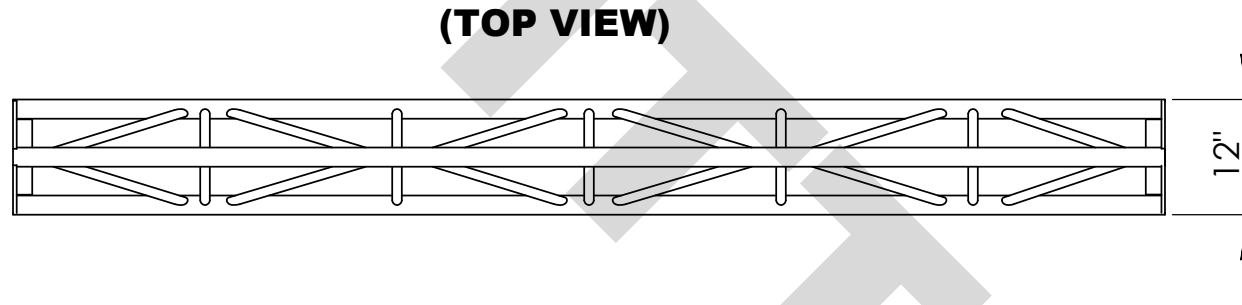
(ELEVATION VIEW)



(END VIEW)



(TOP VIEW)



- NOTE;
- 1. ALL MEMBERS ALUMINUM ALLOY 6061-T6
 - 2. ALL END CONNECTION BOLTS 5/8" DIA. - A307
 - 3. MAXIMUM DEFLECTION < LENGTH (INCHES) / 240

COMPANY	ITTCorp.		
TITLE	YELLOW 12X12		
DWG. NO.	S3212101		
SCALE	1: 20	DATE	042008